

Bianchi Vending Group - Spare Parts
Catalog related to :

-  **Coffee Machines**
-  **BVM 972 - Free Standing**

Summary

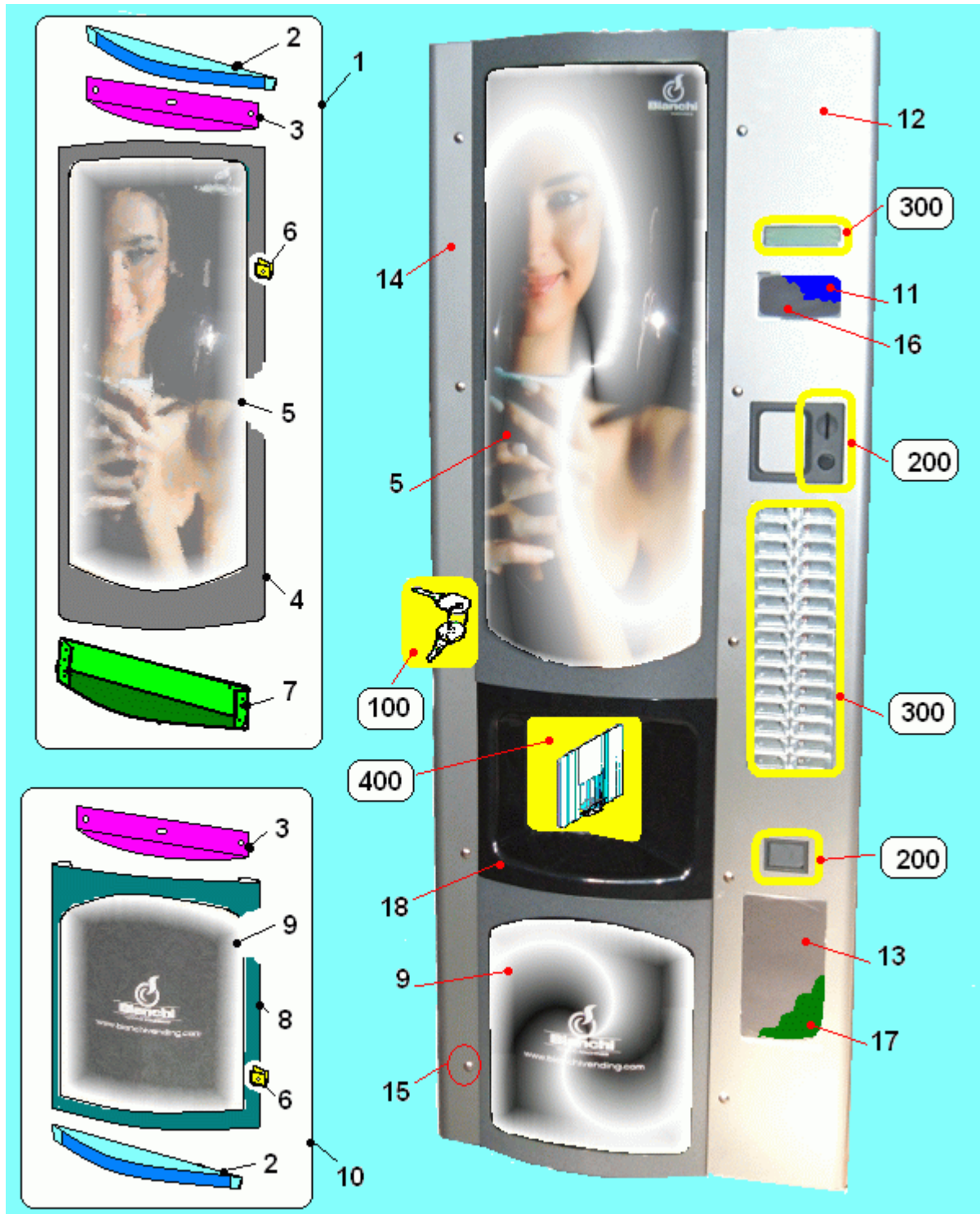
Coffee Machines BVM 972 - Free Standing	1
Coffee Machines BVM 972 - Free Standing BV972ES03GG - BVM972 E 5S DC PD	2
Coffee Machines BVM 972 - Free Standing BV972ES03GG - BVM972 E 5S DC PD DOOR	3
FRONTE PORTA (645)	4
INTERNO PORTA (646)	6
Coffee Machines BVM 972 - Free Standing BV972ES03GG - BVM972 E 5S DC PD CABINET	8
CASSONE (648)	9
Coffee Machines BVM 972 - Free Standing BV972ES03GG - BVM972 E 5S DC PD PRODUCT DELIVERY	11
ASSIEME SUPPORTO UGELLI ZUCCHERO (602)	12
C/O COLONNA E SGANCIATORE BICCHIERI (627)	14
DETTAGLI NUOVA PALETTIERA (655)	16
Coffee Machines BVM 972 - Free Standing BV972ES03GG - BVM972 E 5S DC PD ESPRESSO ASSEMBLY	18
PISTON ASSEMBLY(7)	19
ESPRESSO BOILER ASSEMBLY (8)	21
PLASTIC COFFEE GROUP(1)	23
COFFEE GRINDER - DOSER (404)	25
COFFEE GROUP GEARMOTOR (483)	27
TRAMOGGIA CAFFE' (632)	29
Coffee Machines BVM 972 - Free Standing BV972ES03GG - BVM972 E 5S DC PD C/O ESPRESSO-SOLUBILI	31
C/O CASSETTO BVM (649)	32
C/O SUPPORTO MACINADOSATORE - MOTORIDUTTORI SCATOLE DOSATRICI (651)	34
Coffee Machines BVM 972 - Free Standing BV972ES03GG - BVM972 E 5S DC PD HYDRAULIC COMPONENTS	36
ELECTROVALVE THREE WAYS OLAB(115)	37
WATER FILTERS(362)	39
ELECTROVALVES GROUP -ERA- TWO WAYS (479)	41
ELETTROV. E VASCHETTA INGRESSO ACQUA (650)	43
Coffee Machines BVM 972 - Free Standing BV972ES03GG - BVM972 E 5S DC PD ELECTRICS & ELECTRONICS	45
ELECTROMECHANICAL COUNTER KIT (545)	46
ASSIEME SCATOLA ELETTRICA (652)	48
Coffee Machines BVM 972 - Free Standing BV972ES03GG - BVM972 E 5S DC PD INSTANT ASSEMBLY	50
C/O CALDAIA SOLUBILI (653)	51
SCATOLE DOSATRICI POLVERI (654)	53
PARTI DI COMPLETAMENTO (660)	55
KIT CAMERA MISCELAZIONE RISCALDATA (406)	57
C/O CALDAIA SOLUBILI 6 ELETTROV. (683)	59
Other tables	61
VERTICAL GRINDER ASSEMBLY(30)	62
COFFEE DOSER(32)	64
GRINDER WITH VERTICAL MOTOR(29)	66
KEYPAD - DISPLAY (412)	68

ELECTROVALVE TWO WAYS ERA COMPONENTS (478)	70
COMPONENTI SUPPORTO UGELLI (603)	72
COMPONENTI PER MISCELATORI (615)	74
POMPA ACQUA 24 V - RILEVATORE DI FLUSSO (617)	76
COMPONENTI SGANCIA BICCHIERI (628)	78
SERRATURA (631)	80
VANO EROGAZIONE (633)	82
INTRODUZIONE MONETA (647)	84
NEON E PARTI ELETTRICHE (662)	86

Tables of group :

-  **Coffee Machines**
-  **BVM 972 - Free Standing**
-  **BV972ES03GG - BVM972 E 5S DC PD**
-  **DOOR**

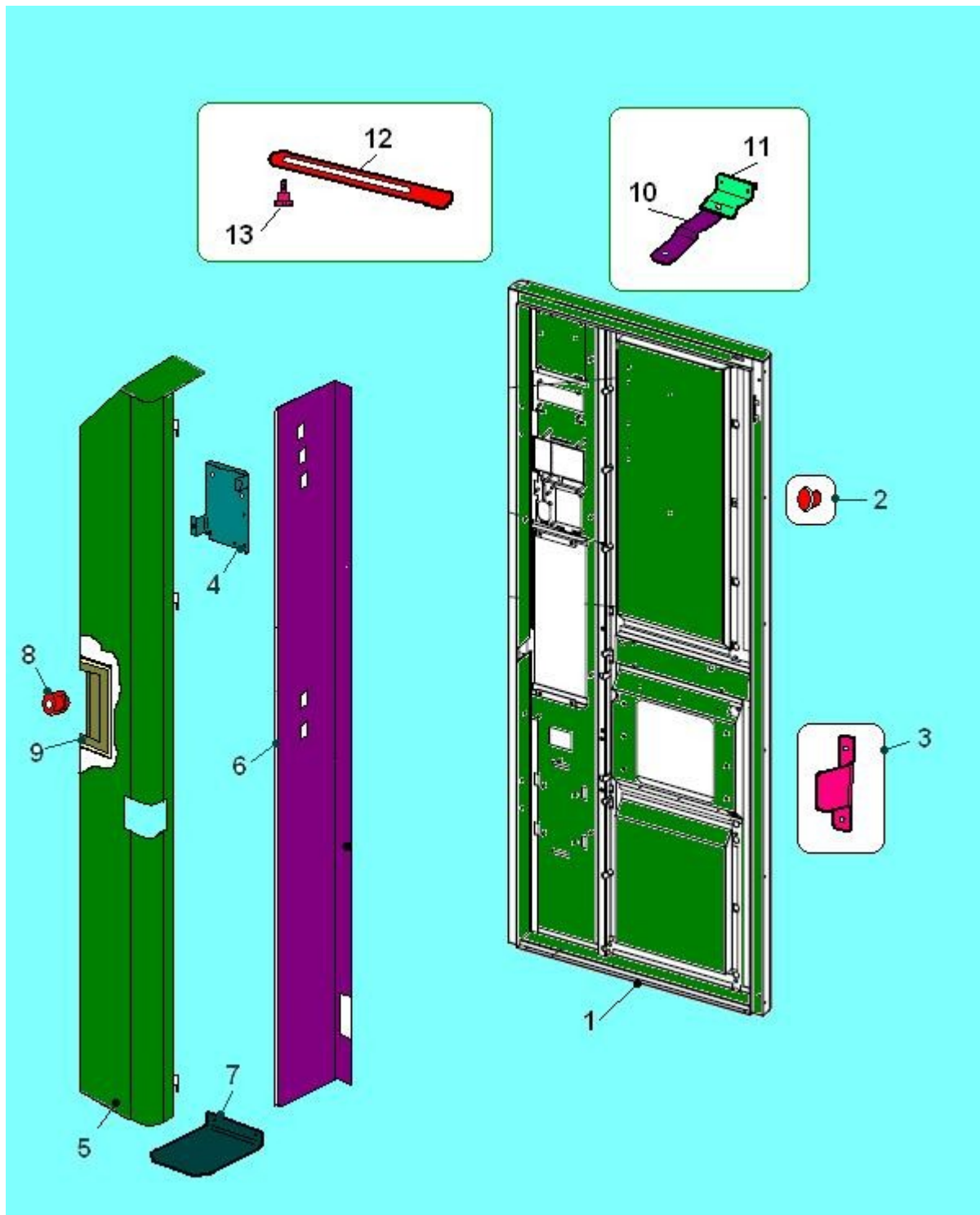
Table: FRONTE PORTA (645)



FRONTE PORTA (645) - Items detail

Position	SPARE PARTS CODE VARIANT	Accessories	DESCRIPTION	For each main item multiply q.ty by
1	01792340		ASS.CORNIC.LEXAN SUP.BV972 ST	
2	01785411-02L30		higher lexan frame cover graph	
3	01804811		Lexan fixing plate	
4	01792411L30		higher lexan frame graphite	
5	05233011-01		LEXAN SERIGRAF.BV972 SUP	
6	34511726		elastic plate M5	
7	01785511-02L30		base for lexan frame graphite	
8	01785711L30		lower lexan frame graphite	
9	05232111		lower serigr. lexan	
10	01785630		ASS.CORNICE LEXAN INF.IVS	
11	05233715M00		transp.info upper panel BVM951	
12	01839551P54		COVER INTERFACC STD C/BORCHIE	
13	05232625M00		transp.info panel h=230 BVM951	
14	01827511P54		COVER LATO SERRAT.BV971 IVS IX	
15	32343516		VITE TES.TON.QST 6MAX10 NIC	
16	30263811		black panel upper showcase BVM	
17	30263821		black panel lower showcase BVM	
18	05231915M09		black cup station window hole	
100	See Table "SERRATURA (631)" - Pag. 80			
200	See Table "INTRODUZIONE MONETA (647)" - Pag. 84			
300	See Table "KEYPAD - DISPLAY (412)" - Pag. 68			
400	See Table "VANO EROGAZIONE (633)" - Pag. 82			

Table: INTERNO PORTA (646)



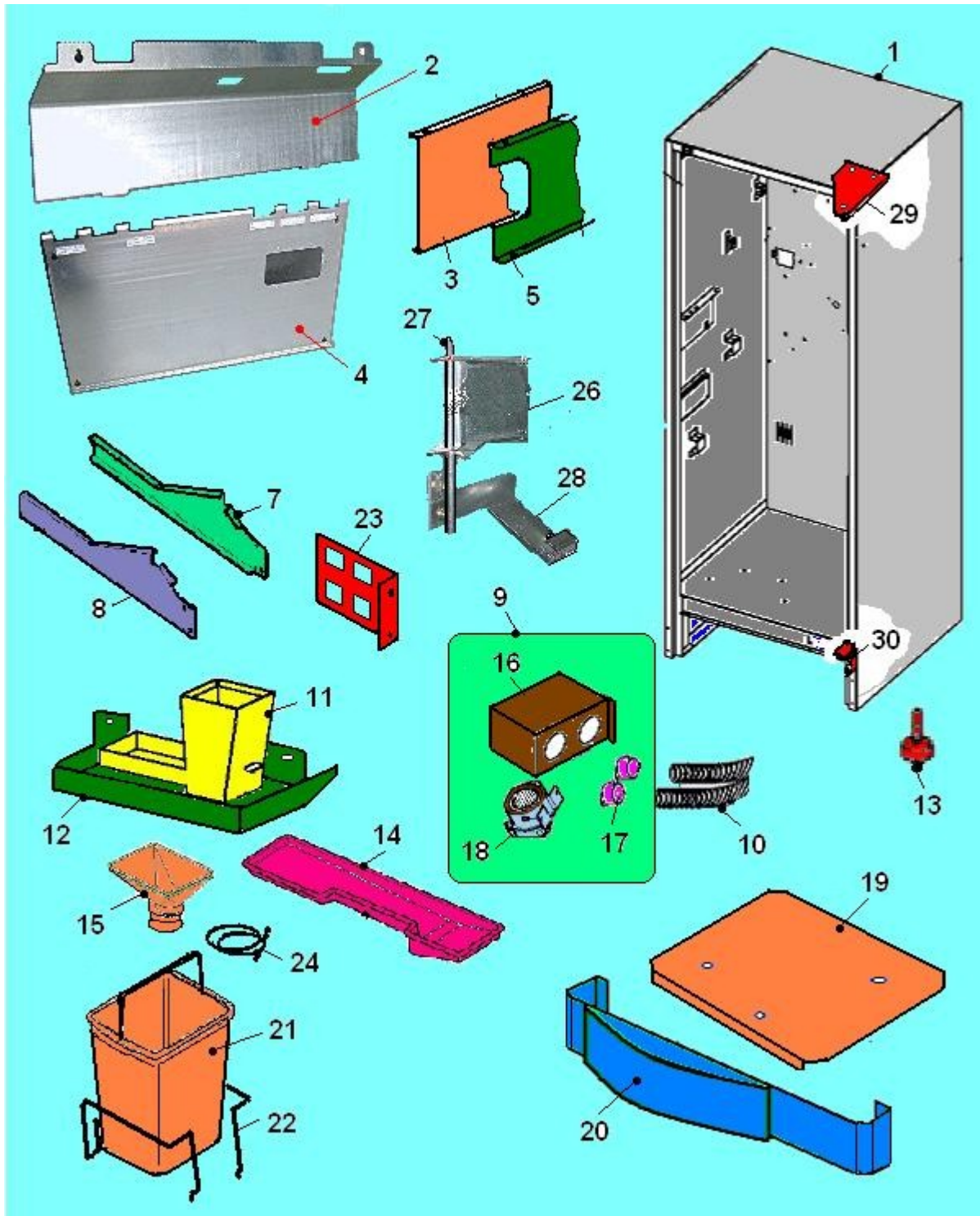
INTERNO PORTA (646) - Items detail

Position	SPARE PARTS CODE VARIANT	Accessories	DESCRIPTION	For each main Item multiply q. ty by
1	01831812-01		ASS.TELAIO PORTA BV971 IVS	
2	4991104883		rubber piece	
3	01827311		PIASTRA INTERRUETTORE BV971	
4	01839622		ASS.SUPPORTO CPU STANDARD	
5	01826311		COPERT.SIST.PAGAMENT.BV971 IVS	
6	01826511		SPALLA PROTEZ.SIST.PAGAMENTO	
7	01826411		FONDO PROTEZ.SISTEMA PAGAMENTO	
8	20022316		MAGNETE TONDO XPORT.VANO BICC.	
9	05238516		PLASTIC HANDLE SOUTHCO BV971	
10	01812611-01		FERMO COLONNA BICCHIERI BVM95	
11	01826911-01		SQUADRET.FERMO ROTAZ.TAMP	
12	01827911-01		ASTA FERMO PORTA BV971 IVS	
13	19055511		lock rod screw	

Tables of group :

-  **Coffee Machines**
-  **BVM 972 - Free Standing**
-  **BV972ES03GG - BVM972 E 5S DC PD**
-  **CABINET**

Table: CASSONE (648)



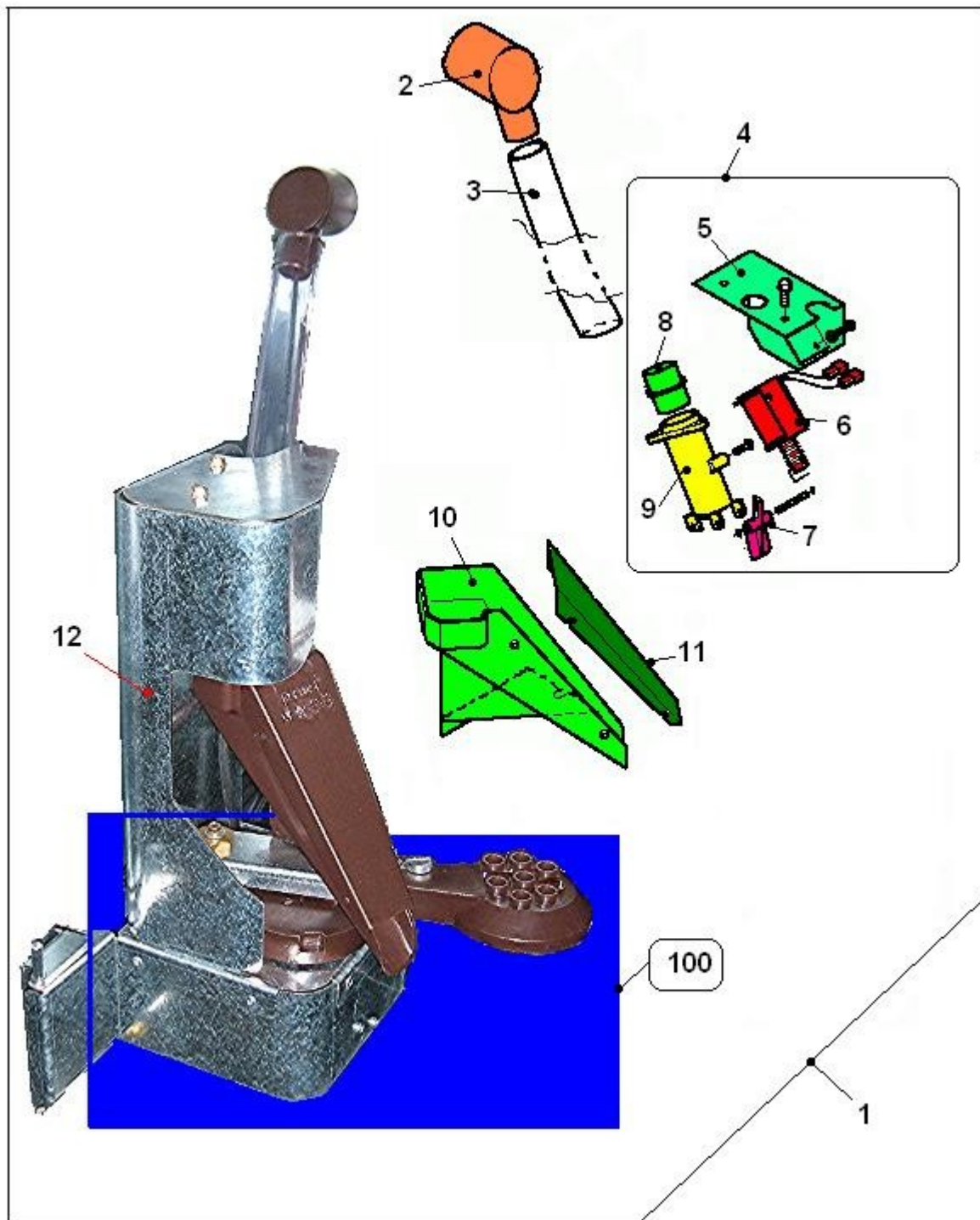
CASSONE (648) - Items detail

Position	SPARE PARTS CODE VARIANT	Accessories	DESCRIPTION	For each main Item multiply q. ty by
1	01822612-03P48		ASS. CASSONE BVM971 IVS GRAF.	
2	01834121		COPERTURA SCATOLA ELETTRIC.BVM	
3	01834211-01		COPERTURA SX SUPPORTO CASSETTO	
4	01831222		ASS. COPERT.POSTERIOR.BV972 DC	
5	01828211		COPERTURA DX SUPPORTO CASSETTO	
7	01816211		GUIDA RECLINABILE DX BV971 IVS	
8	01816311		GUIDA RECLINABILE SX BV971 IVS	
9	01831310		ASS. ASPIRATORE BV971 IVS	
10	09031113		28x33 Leviflex pipe	
11	05157415		iris waste coffee convoyer	
12	01828511		waste coffee box BV971 IVS	
13	21057212		foot.assy (m10x40) - -bvm971	
14	05113615		condensation drain	
15	05168115		waist coffe bag spring	
17	05071915		aspiration pipe connection	
18	20006316		aspirator (ant-sir-ori)	
19	01841911P54		PROTEZIONE FONDO BV 971 IVS	
20	01831112		ASS. BATTISCOPIA BV971 IVS	
21	05137316		bucket	
22	07034411-01		MOLLA PER SECCHIO	
23	01828411-01		PIASTRA CONNETTORI BV971 IVS	
24	21056016		waste coffee bag spring	
26	01829211-01		SUPP.ROTAZIONE ZUCCHERO UGELLI	
27	12017611		cup disp.rotation pin	
28	01834511		GUIDA PER TUBI SCARICO	
29	01823111		CARDINE SUPERIORE BVM971 IVS	
30	01823011-01		CARDINE INFERIORE BVM971 IVS	

Tables of group :

-  **Coffee Machines**
-  **BVM 972 - Free Standing**
-  **BV972ES03GG - BVM972 E 5S DC PD**
-  **PRODUCT DELIVERY**

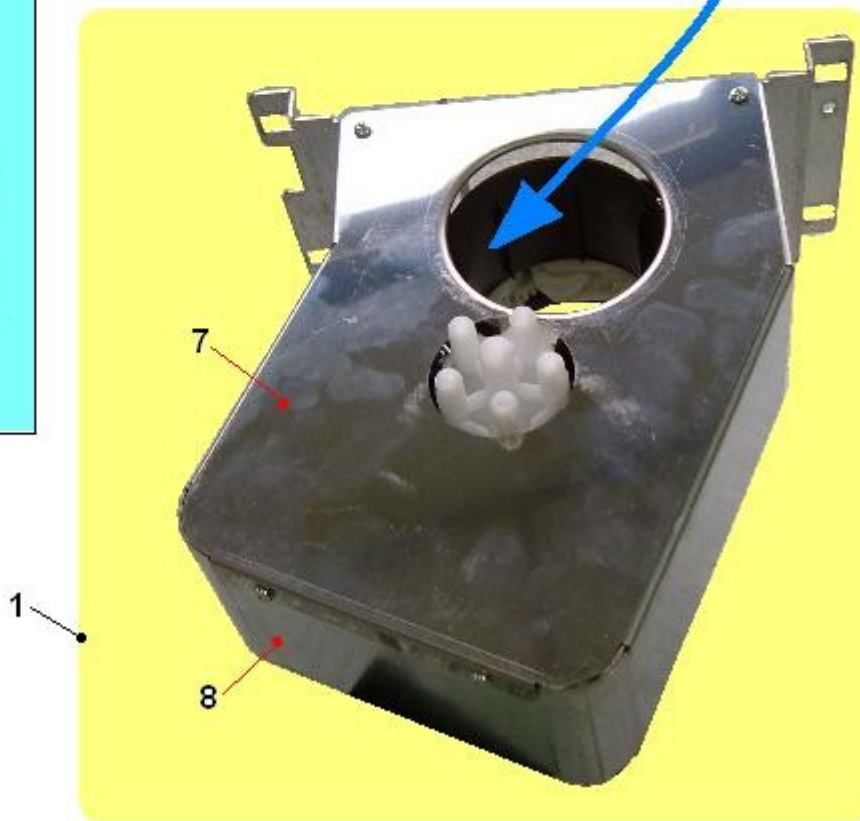
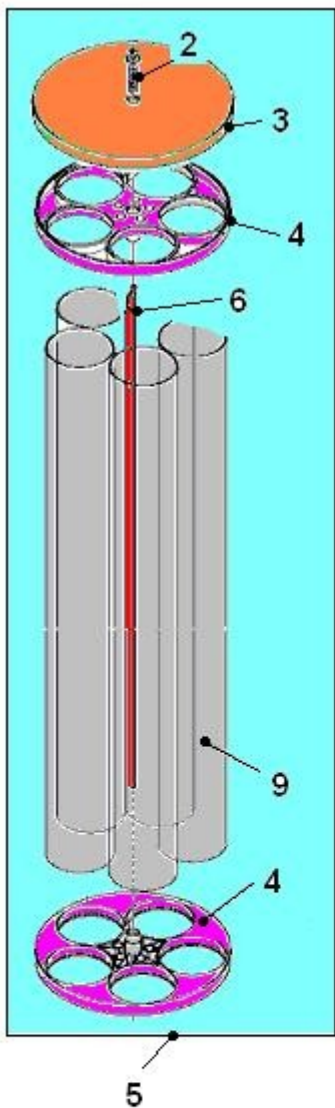
Table: ASSIEME SUPPORTO UGELLI ZUCCHERO (602)



ASSIEME SUPPORTO UGELLI ZUCCHERO (602) - Items detail

Position	SPARE PARTS CODE VARIANT	Accessories	DESCRIPTION	For each main Item multiply q.ty by
1	96067410		SUGAR DISPENSING NOZZLES ASSY	
2	05123015M37		BROWN SUGAR NOZZLE	
3	09027653		20x26 PVC pipe	
4	96032810		antares sugar delivery system	
5	01519612		sugar dispenser support assy	
6	20008946		24V DC 15% magnet	
7	05123715		doser lever with hole	
8	05096215		sugar pipe connection	
9	05104715M37		Brown Sugar dispensing flange	
10	05137925		antares brown sugar slide	
11	05138025		brown sugar slide cover	
12	01831512		SUGAR SUPP.NOZZLES ASSY BV971	
100	See Table "COMPONENTI SUPPORTO UGELLI (603)" - Pag. 72			

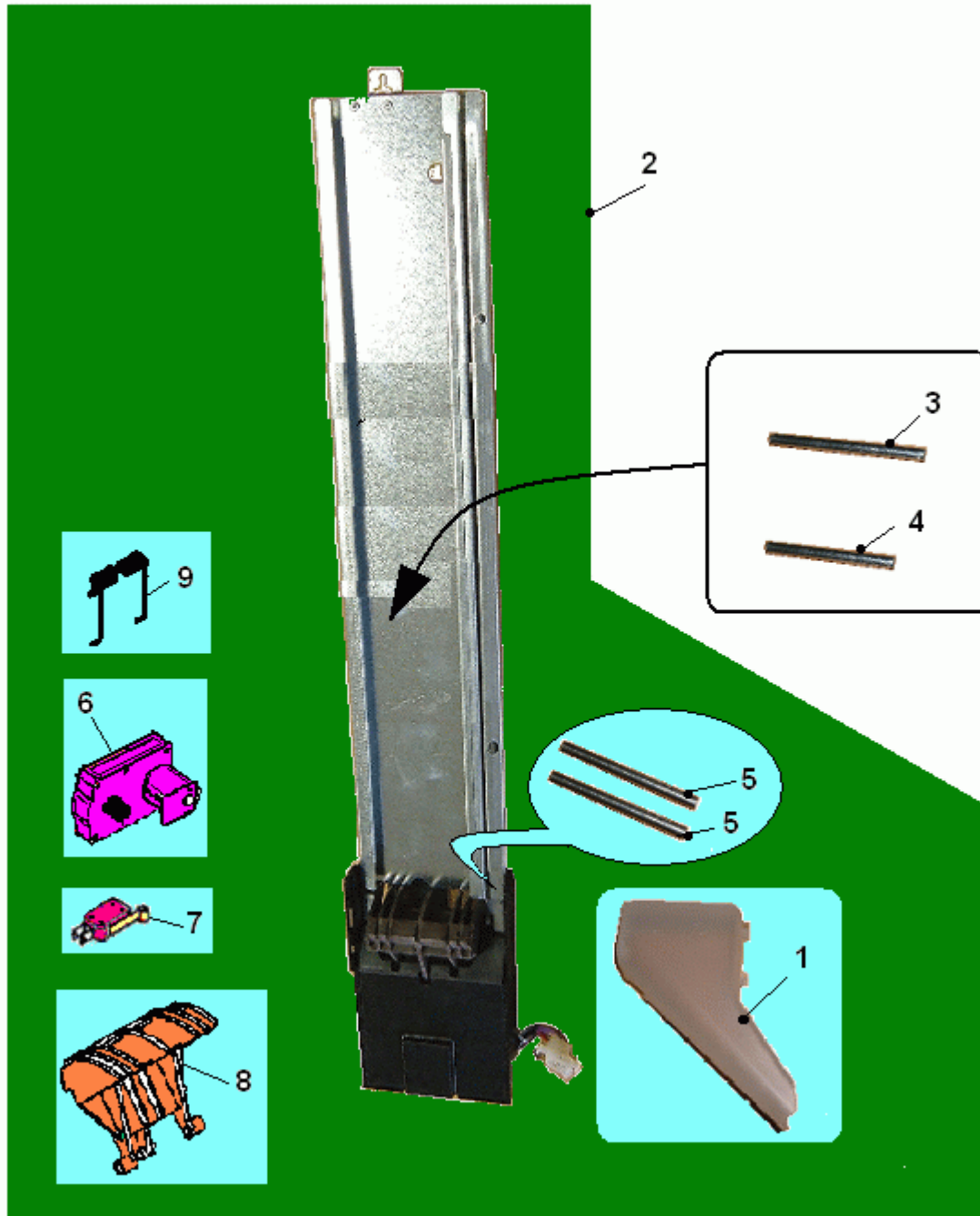
Table: C/O COLONNA E SGANCIATORE BICCHIERI (627)



C/O COLONNA E SGANCIATORE BICCHIERI (627) - Items detail

Position	SPARE PARTS CODE VARIANT	Accessories	DESCRIPTION	For each main item multiply q.ty by
1	28011130-01		BV971 cup disp.assy	
2	07020711		spring	
3	05146115		cups turret cover grey	
3	05146115M37		cups turret cover brown	
4	05135615		cup dispenser disk grey	
4	05135615M37		cup dispenser disk brown	
5	28006930		cups turret assembly ori-sir	
6	19059311		Cup column rod	
7	01826731-01		COPERTURA SGANCIATORE BV9711VS	
8	01826631-01		TELAIO SGANCIATORE BICCHIERI	
9	09094111		75x77 PVC transp.pipe	
100	See Table "COMPONENTI SGANCIA BICCHIERI (628)" - Pag. 78			

Table: DETTAGLI NUOVA PALETTIERA (655)



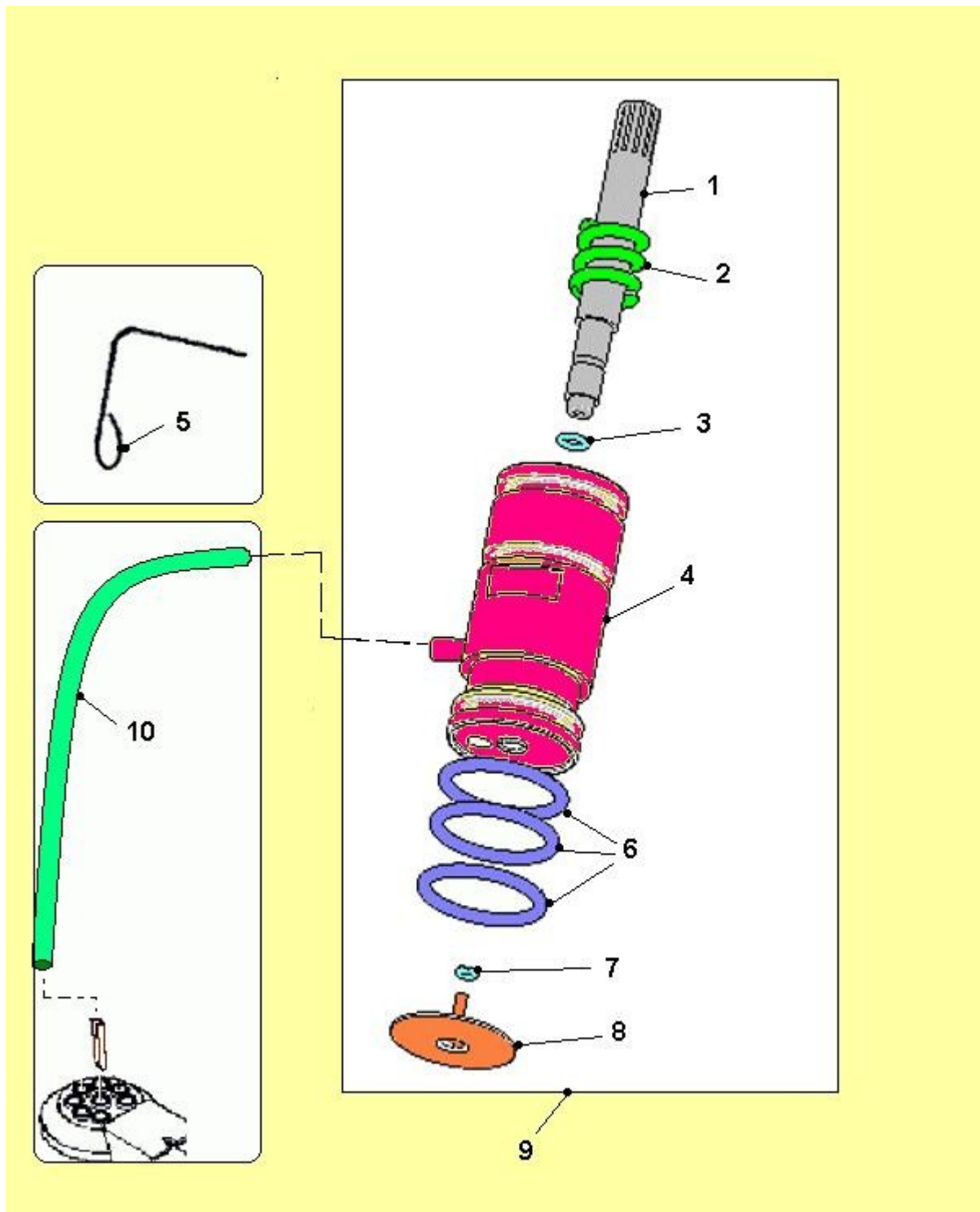
DETTAGLI NUOVA PALETTIERA (655) - Items detail

Position	SPARE PARTS CODE VARIANT	Accessories	DESCRIPTION	For each main Item multiply q. ty by
1	05241415M00		Spoon slide right BV951	
2	43029910		Complete spoon disp.90/105 BV9	
3	12013611-02		Metal weight for spoons 105mm	
4	12004611-01		Metal weight for spoons 90mm	
5	12047111		spoons ejection tube	
6	20020916		24V Dc spoon disp.gearmotor	
7	26029626		microswitch(proof)	
8	05149015-01M37		Spoons ejector brown for iris	
9	12004611-01		Metal weight for spoons 90mm	

Tables of group :

-  **Coffee Machines**
-  **BVM 972 - Free Standing**
-  **BV972ES03GG - BVM972 E 5S DC PD**
-  **ESPRESSO ASSEMBLY**

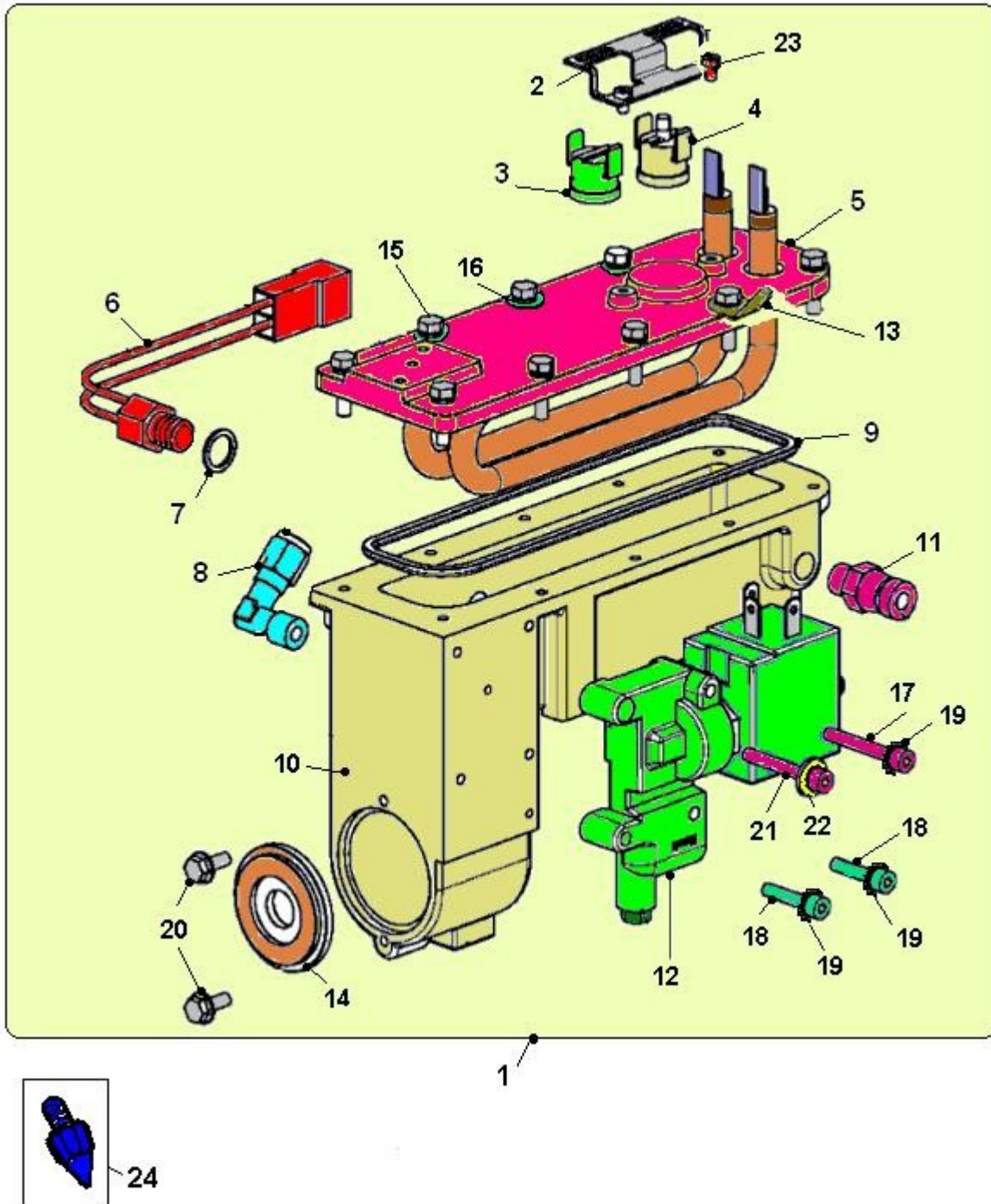
Table: PISTON ASSEMBLY(7)



PISTON ASSEMBLY(7) - Items detail

Position	SPARE PARTS CODE VARIANT	Accessories	DESCRIPTION	For each main Item multiply q.ty by
1	05107725		piston filter knob	
2	07017611		piston spring	
3	36210916		OR2021 gasket	
4	05148012		coffee piston	
5	07017511		piston block rod	
6	36211816		OR4112 gasket	
7	36212116		OR2010 gasket	
8	16014812		filter assy	
9	05138120		coffee piston assy	
10	09087873-01		3x6 brown silicone pipe	
10	09093441		3x6 silicone pipe grey	

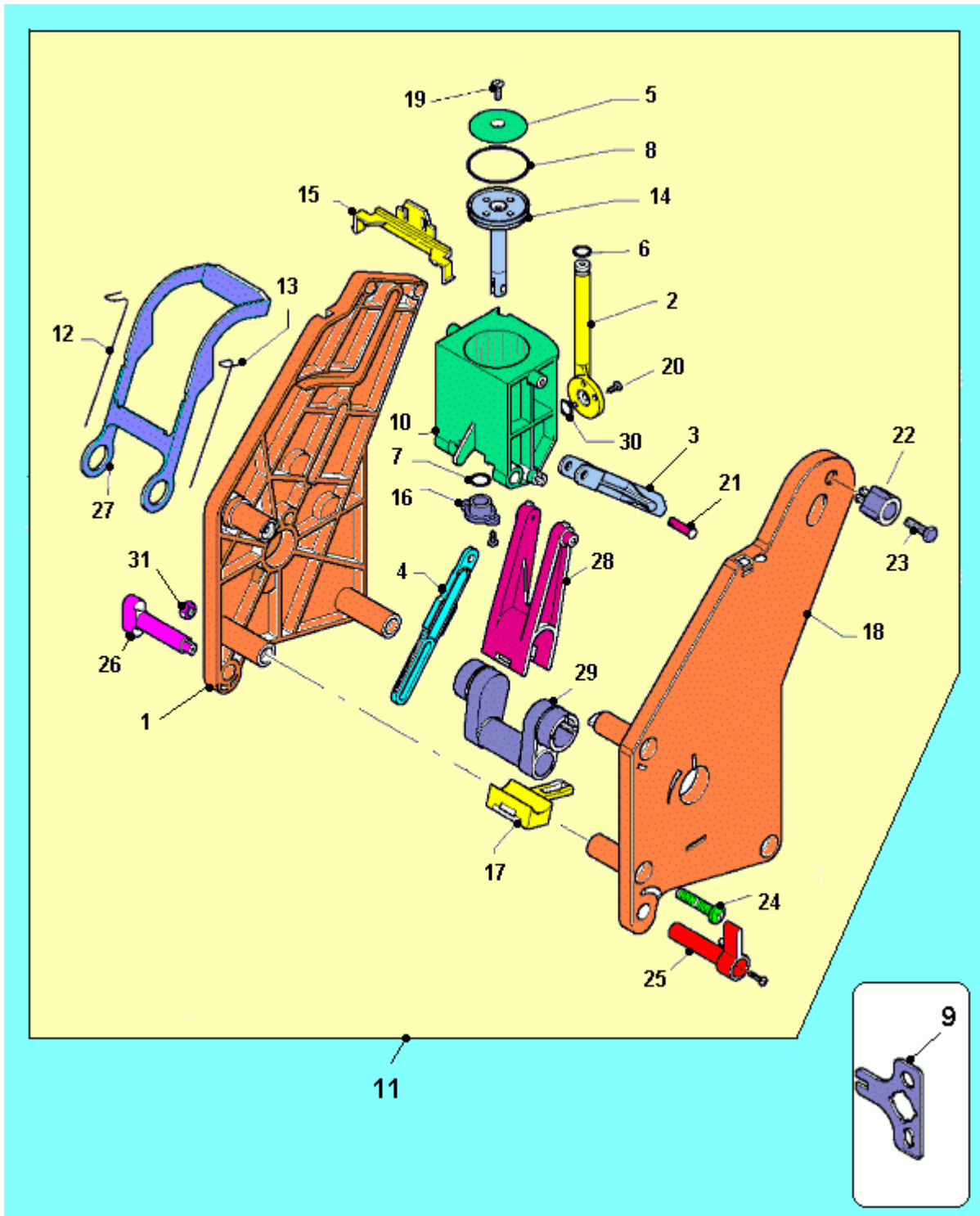
Table: ESPRESSO BOILER ASSEMBLY (8)



ESPRESSO BOILER ASSEMBLY (8) - Items detail

Position	SPARE PARTS CODE VARIANT	Accessories	DESCRIPTION	For each main item multiply q. ty by
1	85002810-01		sirio orion boiler assembly	
2	01599411		spring x clixon	
3	25020516		automatic recharge clixon110°	
4	25020616-01		manual recharge clixon (135°)	
5	29004312-01		new heating element assy(inox)	
6	26050826		sens. temp. w/connector (inox)	
7	18002516		copper gasket	
8	04035326		elbow connection	
9	05143815		boiler gasket	
10	13008011		espresso boiler body	
11	04040316		drain valve	
12	25020856		3ways elect.valve24Vdc(0-7,5b)	
13	23020626		male tab	
14	18007011		piston stop washer OT58	
15	32055536		TCEI 4MAx16 screw	
16	35153426		washer	
17	32068416		4 MA X 40 ZNB screw	
18	32067916		TCEI 4MAx20 screw	
19	35160316		d. 4,2 IX self locking washer	
20	32050516		screw 4 MAx10	
21	32068116		TCEI 4MAx25 screw	
22	35157616		plain washer Ø.4,3 ac.	
23	32025116		TC 3MAx5 screw	
24	19056011		group fixing pin	

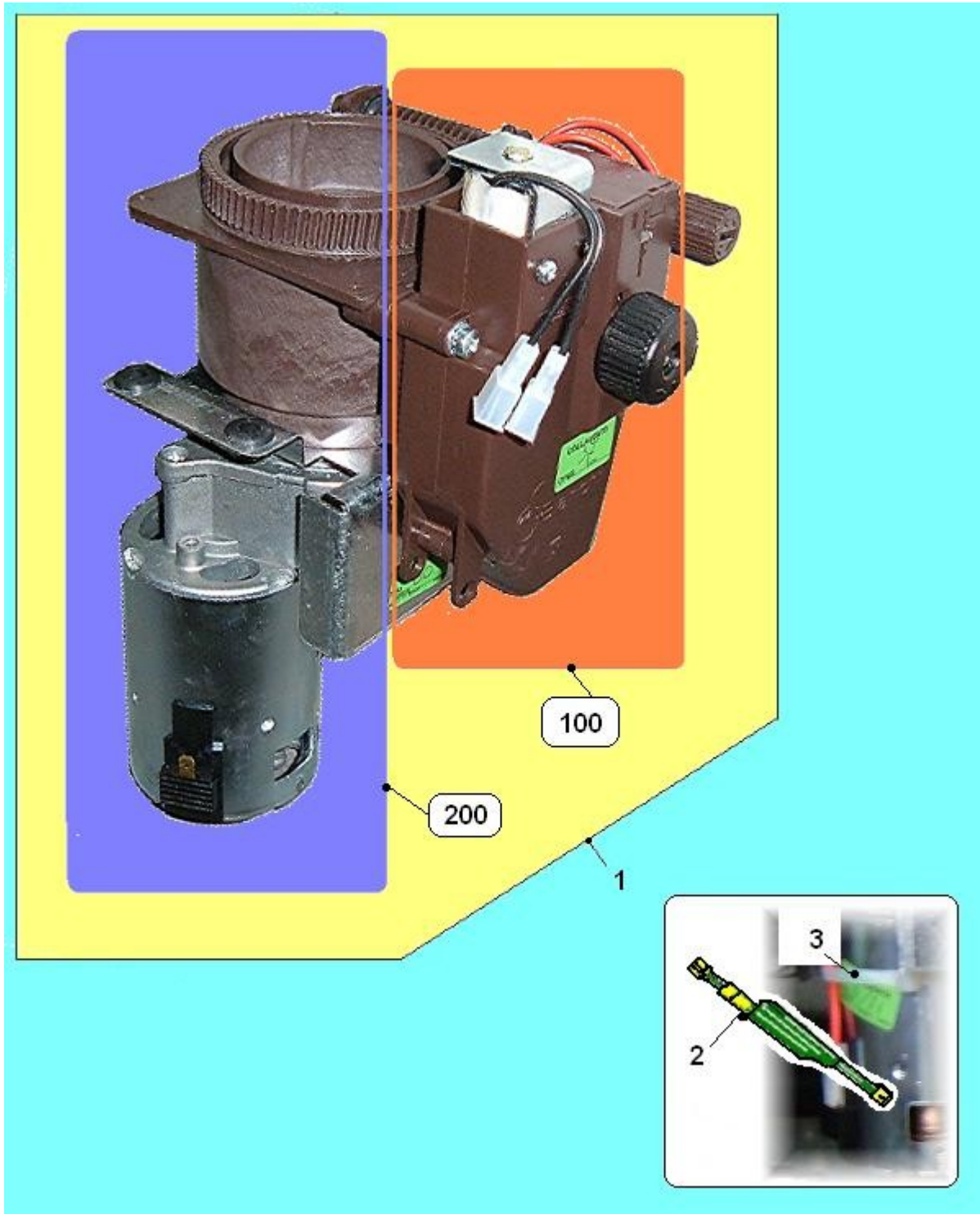
Table: PLASTIC COFFEE GROUP(1)



PLASTIC COFFEE GROUP(1) - Items detail

Position	SPARE PARTS CODE VARIANT	Accessories	DESCRIPTION	For each main item multiply q.ty by
1	05106415-01		rear shoulder	
2	05106815-01		tube for cup	
3	05148315		rod lifter	
4	05107415		drive rod	
5	16012021		coffee group filter	
6	36351316		o-ring for coffee group pipe	
7	36211916		OR 2037 gasket	
8	36212216		OR 2125 gasket	
9	01475411		rotation group key	
10	05106615-01		cup	
11	95007420-01		plastic coffee group assy	
12	07017911		right spatula spring	
13	07017921		left spatula spring	
14	05161215		waste coffee eject rod	
15	05133515		spacer for group sides	
16	05106715		bush cup	
17	05107215		bracket	
18	05106515-01		front shoulder	
19	32035236		TSP 3MAx16 IX screw	
20	32222827		2.9x9.5 ix self-tapping screw	
21	05107515		rivet	
22	05109515		konb	
23	32090636		TE 5MAx18 screw	
24	32060936		TC 4MAx20 screw	
25	05107815		locking lever	
26	05107915		locking rod	
27	05107015		spatula	
28	05107115		connecting rod	
29	05107615		crank	
30	36210916		OR2021 gasket	
31	34110316		5MA self-locking nut	

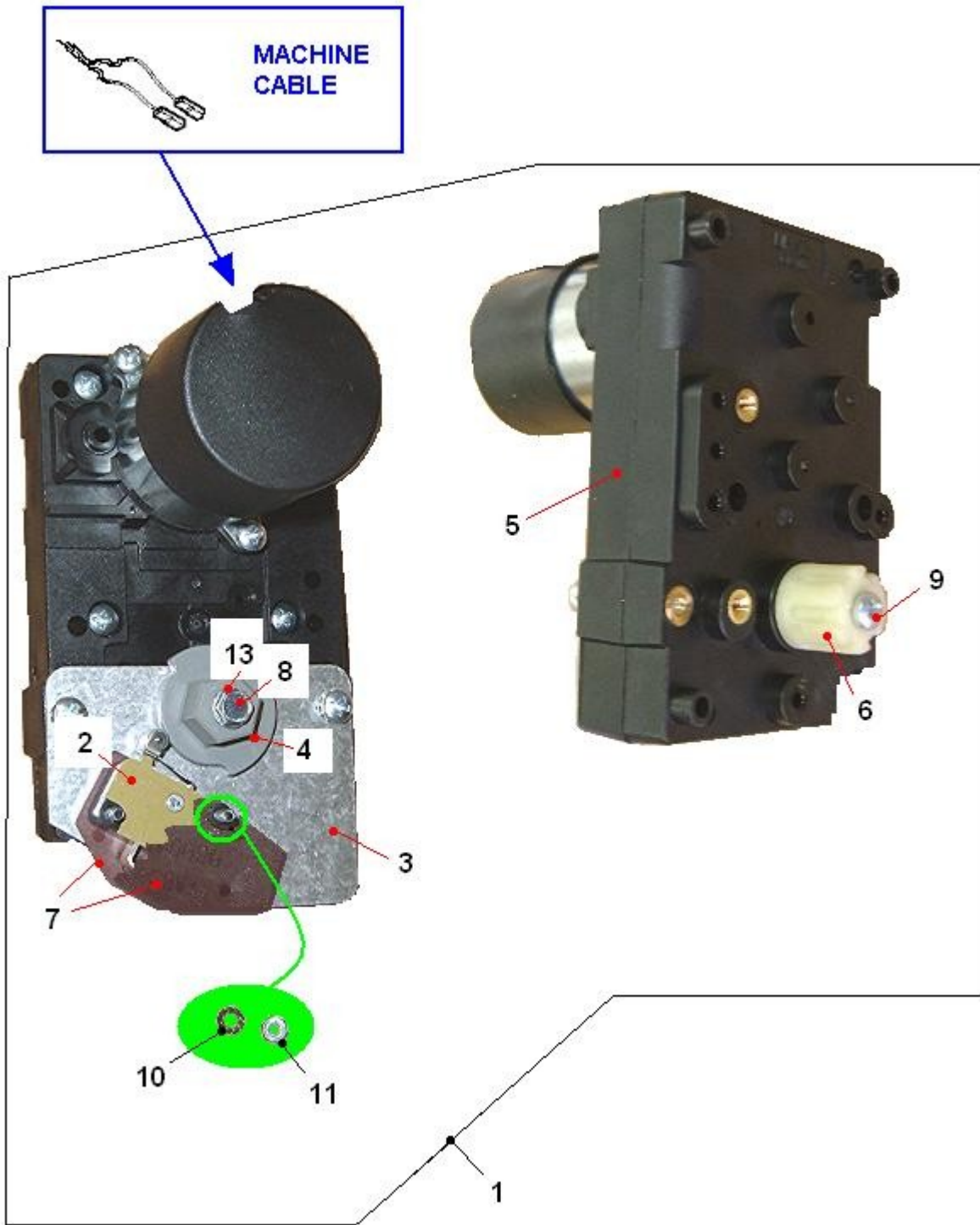
Table: COFFEE GRINDER - DOSER (404)



COFFEE GRINDER - DOSER (404) - Items detail

Position	SPARE PARTS CODE VARIANT	Accessories	DESCRIPTION	For each main Item multiply q.ty by
1	96057610		ametek grinder + doser assy	
2	22126622		PROTEZ.MOT.MAC. AMETEK FAST4,8	
3	23026316		lon plast.strip l.290	
100	See Table "COFFEE DOSER(32)" - Pag. 64			
200	See Table "GRINDER WITH VERTICAL MOTOR(29)" - Pag. 66			

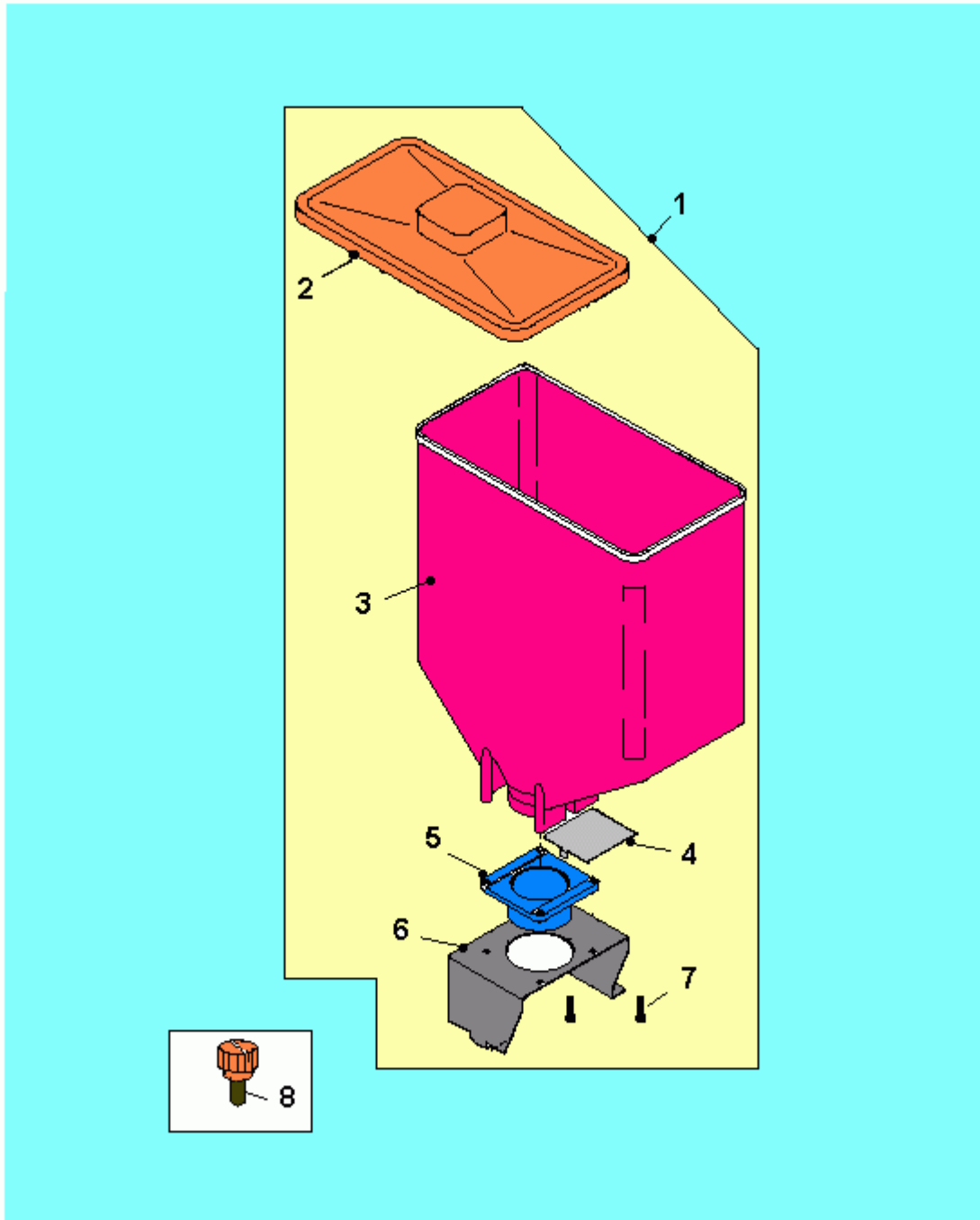
Table: COFFEE GROUP GEARMOTOR (483)



COFFEE GROUP GEARMOTOR (483) - Items detail

Position	SPARE PARTS CODE VARIANT	Accessories	DESCRIPTION	For each main Item multiply q. ty by
1	20016810-03		Motor assy w/24V cable coffee	
2	26005126		microswitch with wheel	
3	01484212		bracket for micro	
4	05110915M37		CAMMA ROTAZ. GRUPPO MARRONE	
5	20014946-02		24VDC12rpm cof.group gearmotor	
6	41081216		PLASTIC JOINT COFFE GROUP	
7	08004111		microswitch insulation	
8	32050516		screw 4 MAX10	
9	32061016		4M x 25 screw	
10	35160216		self-locking diam.3.2	
11	34102716		M3 hexagonal nut	
13	35160316		d. 4,2 IX self locking washer	

Table: TRAMOGGIA CAFFE' (632)



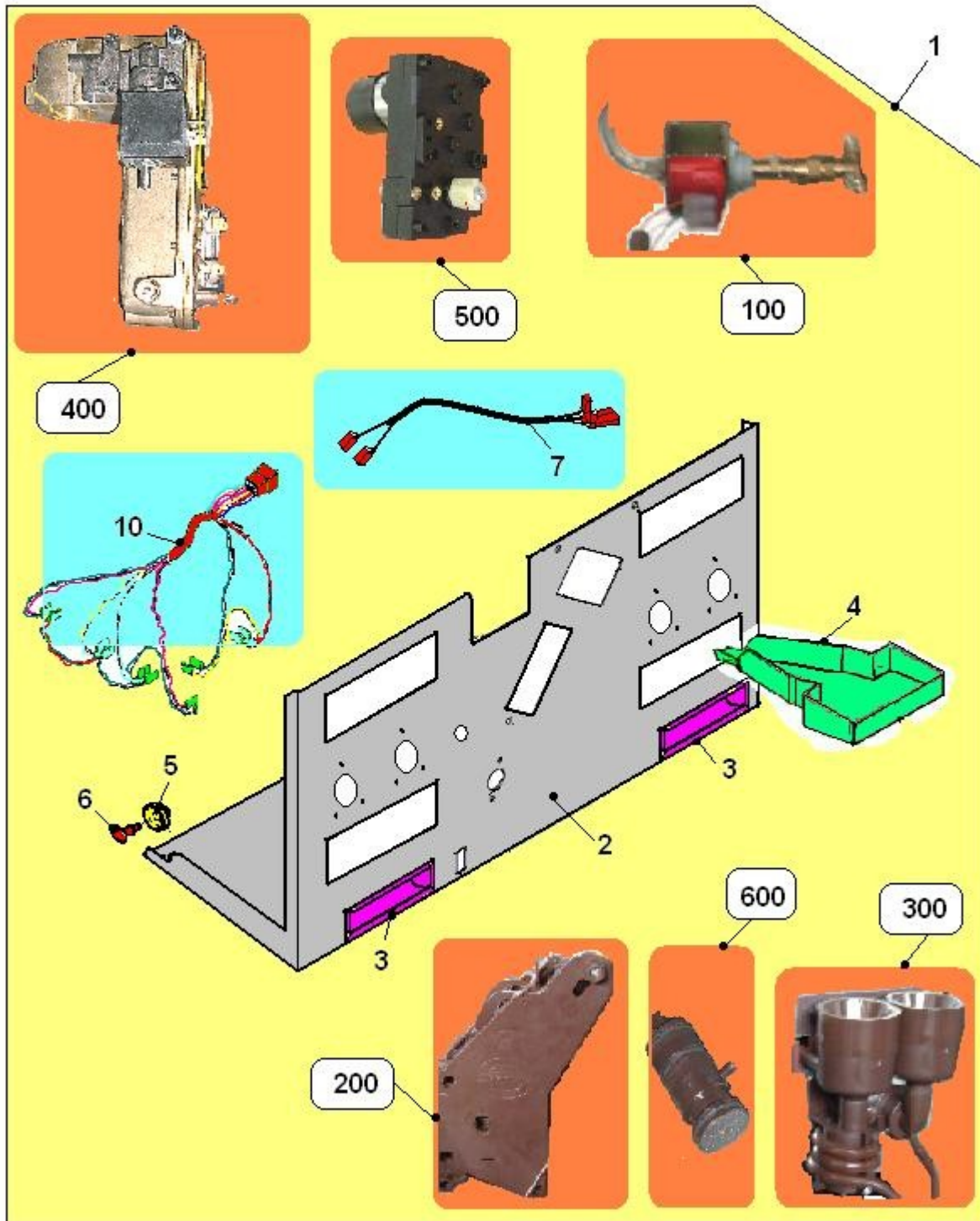
TRAMOGGIA CAFFE' (632) - Items detail

Position	SPARE PARTS CODE VARIANT	Accessories	DESCRIPTION	For each main Item multiply q.ty by
1	05235320		Right coffee canister assy	
2	05232815M37		3,5kg coffee canister cover	
3	05232715M16		3,5kg coffee canister	
4	01228311		waste coffee bulkhead	
5	4831112050		flange	
6	01782421		Beans container plate right	
7	32010736		VITE A/F 4,0X20 TCB UNI9707	
8	19043511L		fixing knob	

Tables of group :

-  **Coffee Machines**
-  **BVM 972 - Free Standing**
 -  **BV972ES03GG - BVM972 E 5S DC PD**
 -  **C/O ESPRESSO-SOLUBILI**

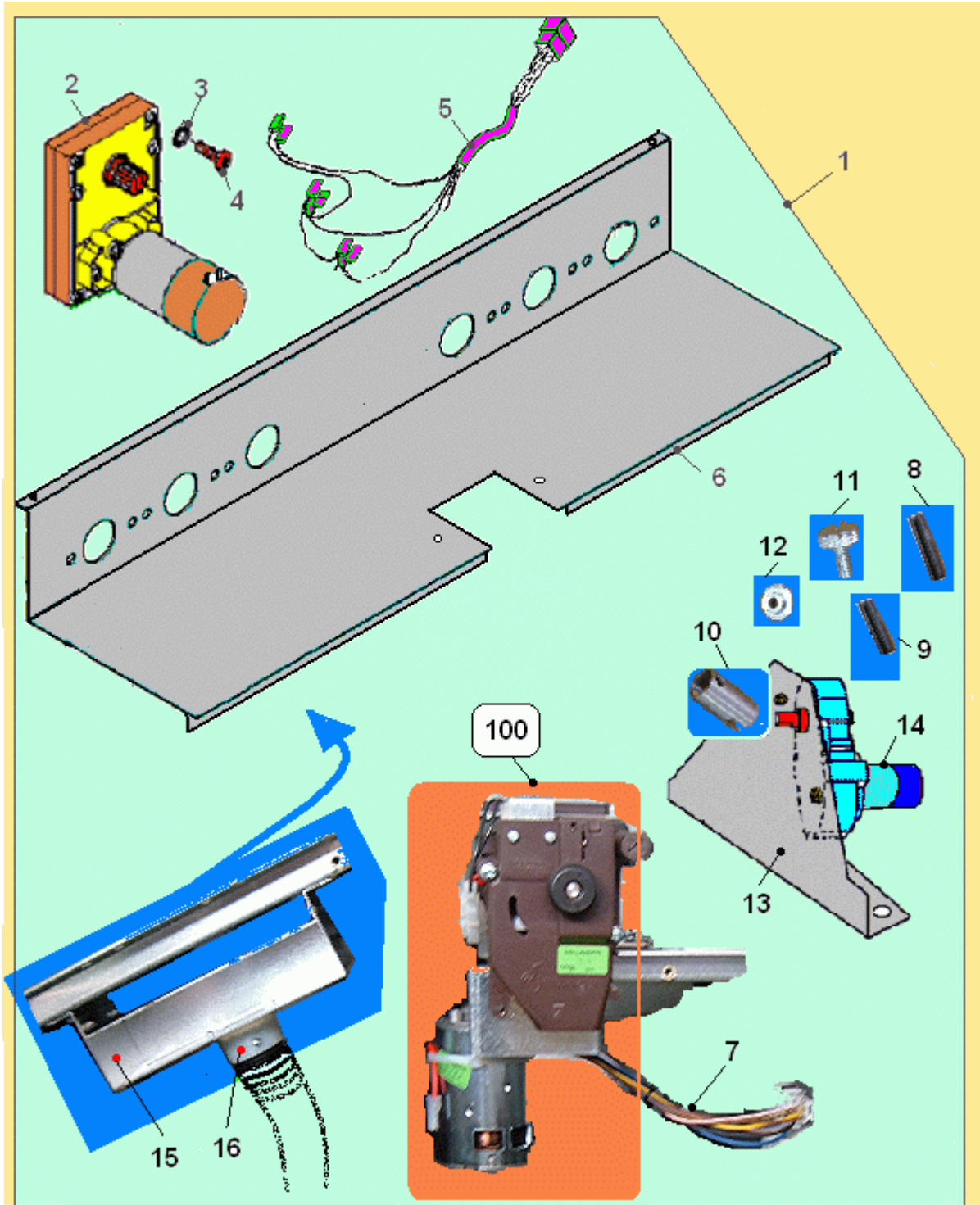
Table: C/O CASSETTO BVM (649)



C/O CASSETTO BVM (649) - Items detail

Position	SPARE PARTS CODE VARIANT	Accessories	DESCRIPTION	For each main item multiply q.ty by
1	96067320		C/O CASSETTO BVM 971 DC	
2	01831412-02		Drawer plate assy BV971 IVS	
3	05238516		PLASTIC HANDLE SOUTHCO BV971	
4	05117415M37		DOUBLE DROP COLLECTION TRAY BR	
5	05116416		vega drawer wheel	
6	12016116		drawer wheel pin	
7	22178412		BV971 IVS PROBE WIRING	
10	22177912		CABL.GRUP/CASSETTOBV971 IVS	
100	See Table "POMPA ACQUA 24 V - RILEVATORE DI FLUSSO (617)" - Pag. 76			
200	See Table "PLASTIC COFFEE GROUP(1)" - Pag. 23			
300	See Table "COMPONENTI PER MISCELATORI (615)" - Pag. 74			
400	See Table "ESPRESSO BOILER ASSEMBLY (8)" - Pag. 21			
500	See Table "COFFEE GROUP GEARMOTOR (483)" - Pag. 27			
600	See Table "PISTON ASSEMBLY(7)" - Pag. 19			

Table: C/O SUPPORTO MACI NADOSATORE - MOTORI DUTTORI SCATOLE DOSATRICI (651)



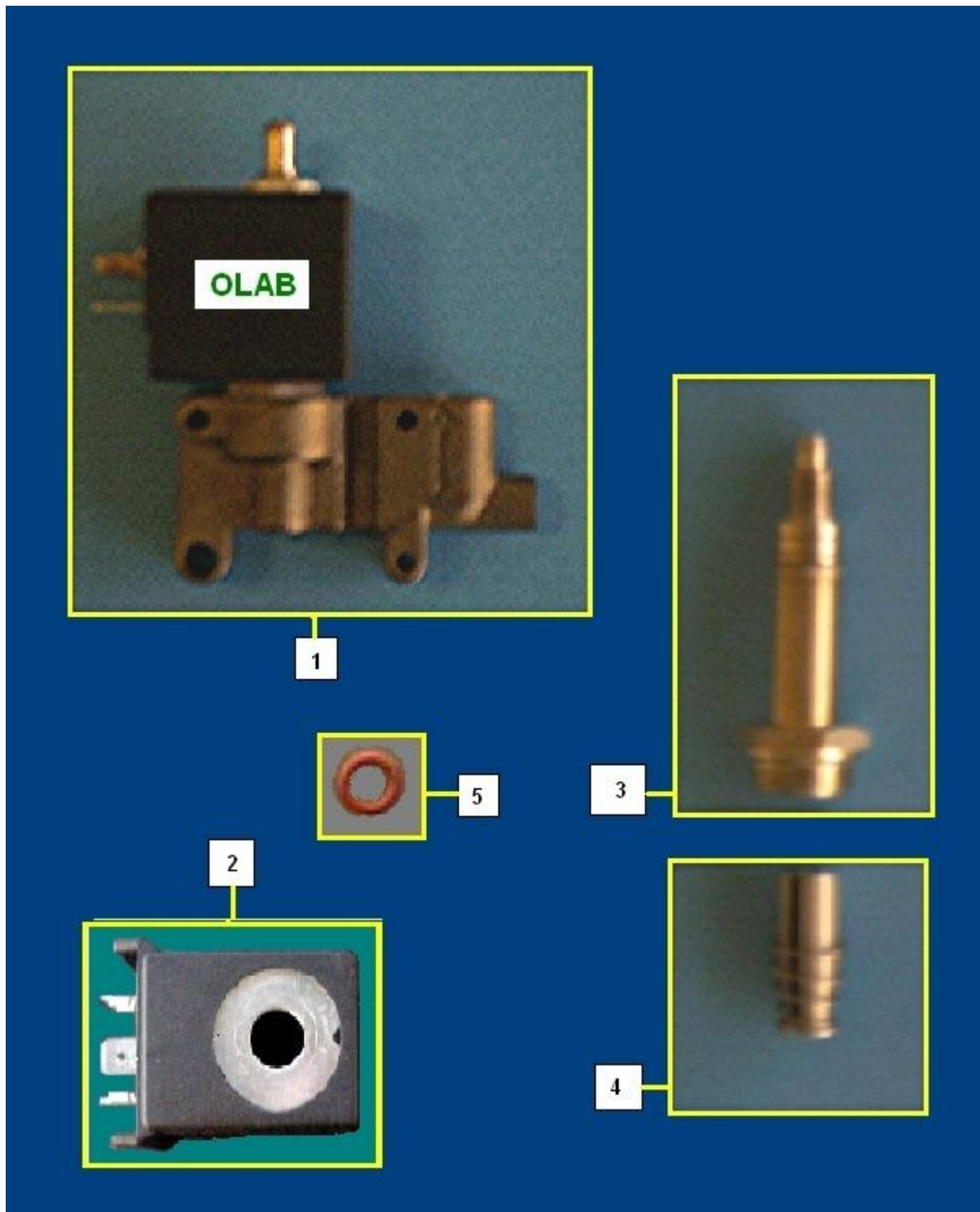
C/O SUPPORTO MACI NADOSATORE - MOTORI DUTTORI SCATOLE DOSATRICI (651) - Items detail

Position	SPARE PARTS CODE VARIANT	Accessories	DESCRIPTION	For each main Item multiply q.ty by
1	96067220-01		C/O MACINADOSATORE PROD.DC	
2	20017026		100 rpm 24V DC gearmotor w/o c	
3	35160516		6.2 self-locking washer	
4	32130616		6MAX16 screw	
5	22178112		BV971 IVS MOTORS WIRING	
6	01829111		CANISTER SUPPORT PLATE BV971	
7	22178312		CABL.MACINADISATORE BV970 IVS	
8	33053146		3x16 pin	
9	33053046		3,14 pin	
10	19068811		regulation lever bush	
11	19043521		fixing knob	
12	19054411		rivet bush	
13	01760011-01		blades autocalibrat. motor sup	
14	20018426-01		MOTORID.24VDC 12RPM 2,2nF 100V	
15	01829021		SUPP.SCAT.ASPIRAZION.BV972 DC	
16	05071915		aspiration pipe connection	

Tables of group :

-  **Coffee Machines**
-  **BVM 972 - Free Standing**
 -  **BV972ES03GG - BVM972 E 5S DC PD**
 -  **HYDRAULIC COMPONENTS**

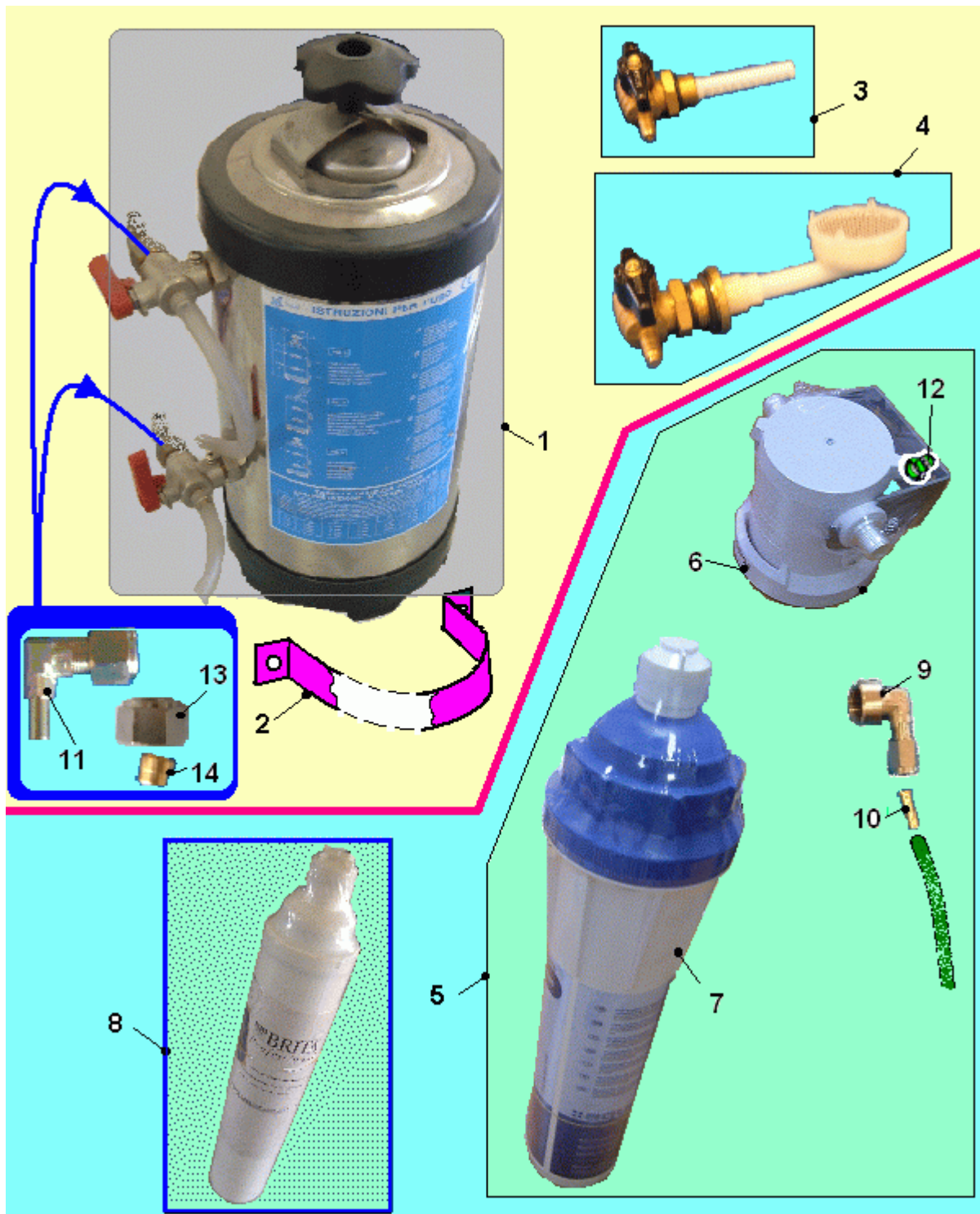
Table: ELECTROVALVE THREE WAYS OLAB(115)



ELECTROVALVE THREE WAYS OLAB(115) - Items detail

Position	SPARE PARTS CODE VARIANT	Accessories	DESCRIPTION	For each main Item multiply q. ty by
1	25020856		3ways elect.valve24Vdc(0-7,5b)	
2	41037116		OLAB coil 3W 24VDC	
2	41037126		OLAB coil 3W 24VAC	
3	41037516		OLAB armature tube 3W	
4	41037416		OLAB plunger 3W	
5	43001316		9,63x6,07 o-ring viton	

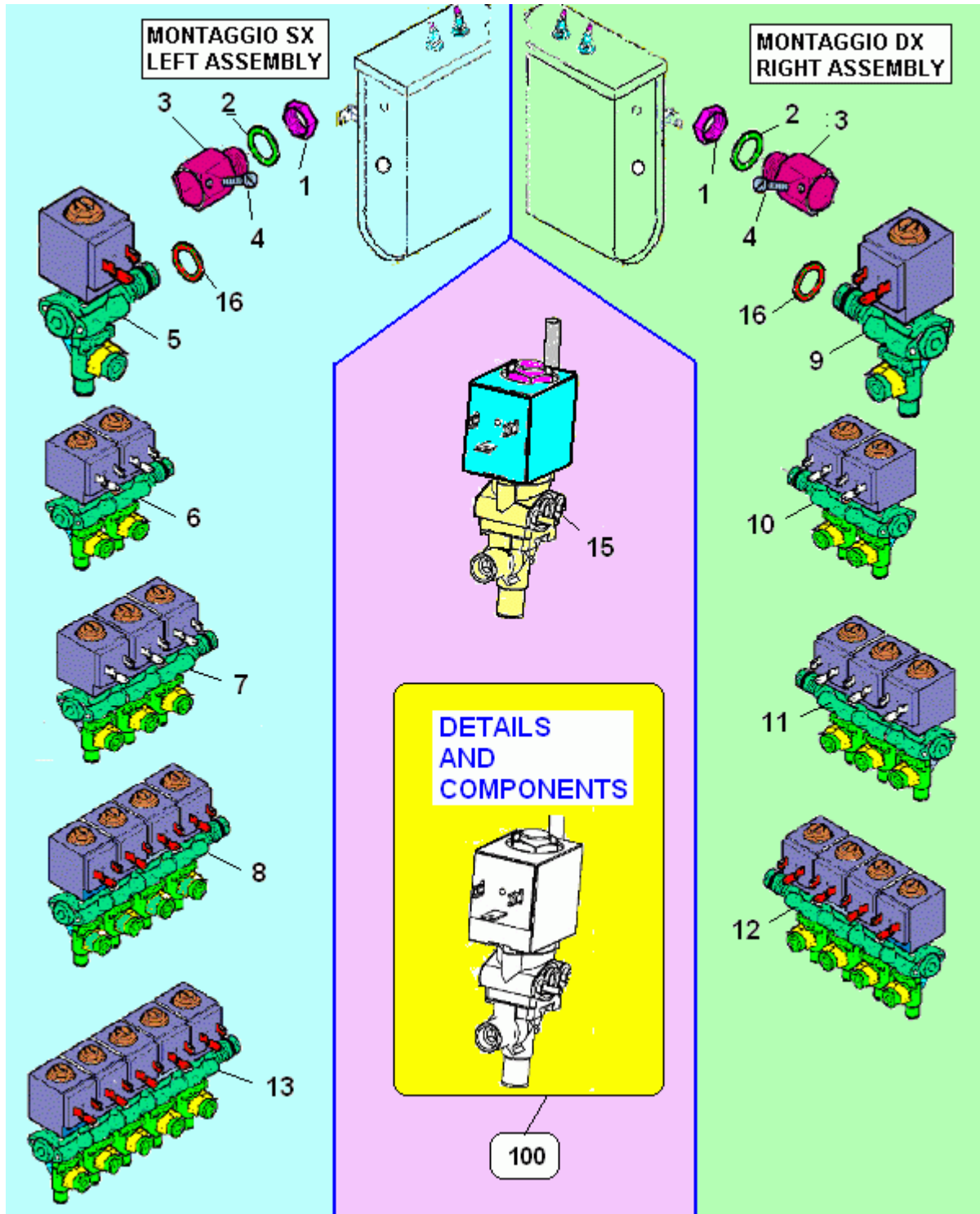
Table: WATER FILTERS(362)



WATER FILTERS(362) - Items detail

Position	SPARE PARTS CODE VARIANT	Accessories	DESCRIPTION	For each main Item multiply q.ty by
1	16005916		8lt.resins Water filter	
2	01197521		Water filter fastening clamp	
3	43015516		upper tap with filter	
4	43015526		lower tap with filter	
5	41076910		ANT/SIRIO Brita filter kit	
6	16022116		Brita head w/tap and stirrup	
7	16022216		1,5lt BRITAccomplete set filter	
8	43012716		1,5lt filter cartidge	
9	04036836		elbow connection6-3/8 A235	
10	19004326		reinforcing bush	
11	04033276		turning elbow connection 1/8	
12	32187216		three-lobe 5x8 screw	
13	04035636		nut	
14	19046536		bush	

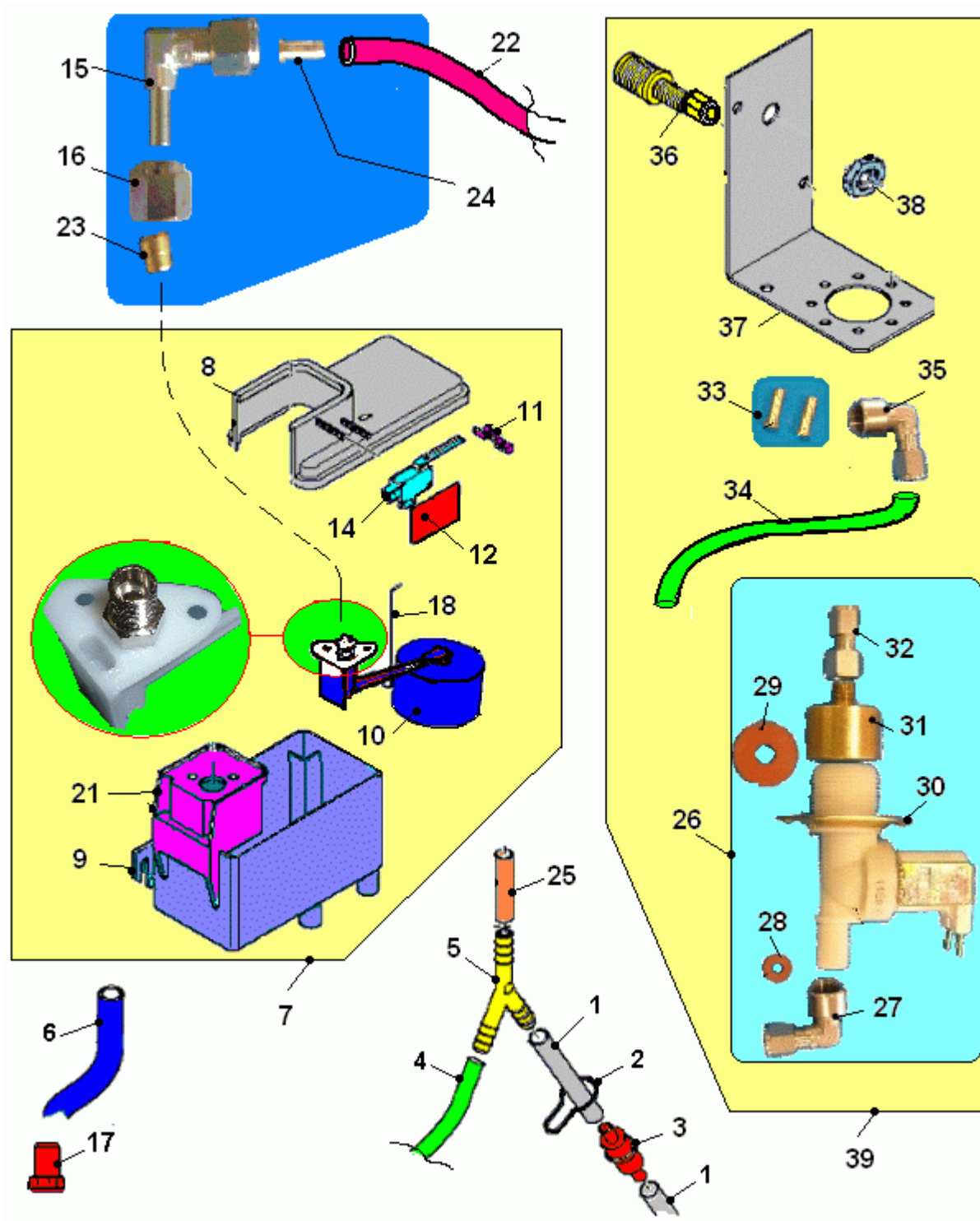
Table: ELECTROVALVES GROUP -ERA- TWO WAYS (479)



ELECTROVALVES GROUP -ERA- TWO WAYS (479) - Items detail

Position	SPARE PARTS CODE VARIANT	Accessories	DESCRIPTION	For each main item multiply q. ty by
1	04005311		3/8" nut	
2	18002536		3/8" copper gasket	
3	04038211		quick connection	
4	32060416		4MAX8 screw	
5	25025116		24VDC single left valve	
6	25025126		24VDC group of 2 left valve	
7	25025136		(left) triple electroval.bank	
8	25025146		24VDC group of 4 left valve	
9	25025216		24VDC single right valve	
10	25025226		24VDC group of 2 right valve	
11	25025236		24VDC group of 3 right valve	
12	25025246		24VDC group of 4 right valve	
13	25025156		24VDC group of 5 left valve	
15	43023216		single Era E.V.	
16	36205316		gasket 109	
100	See Table "ELECTROVALVE TWO WAYS ERA COMPONENTS (478)" - Pag. 70			

Table: ELETTRON. E VASCHETTA INGRESSO ACQUA (650)



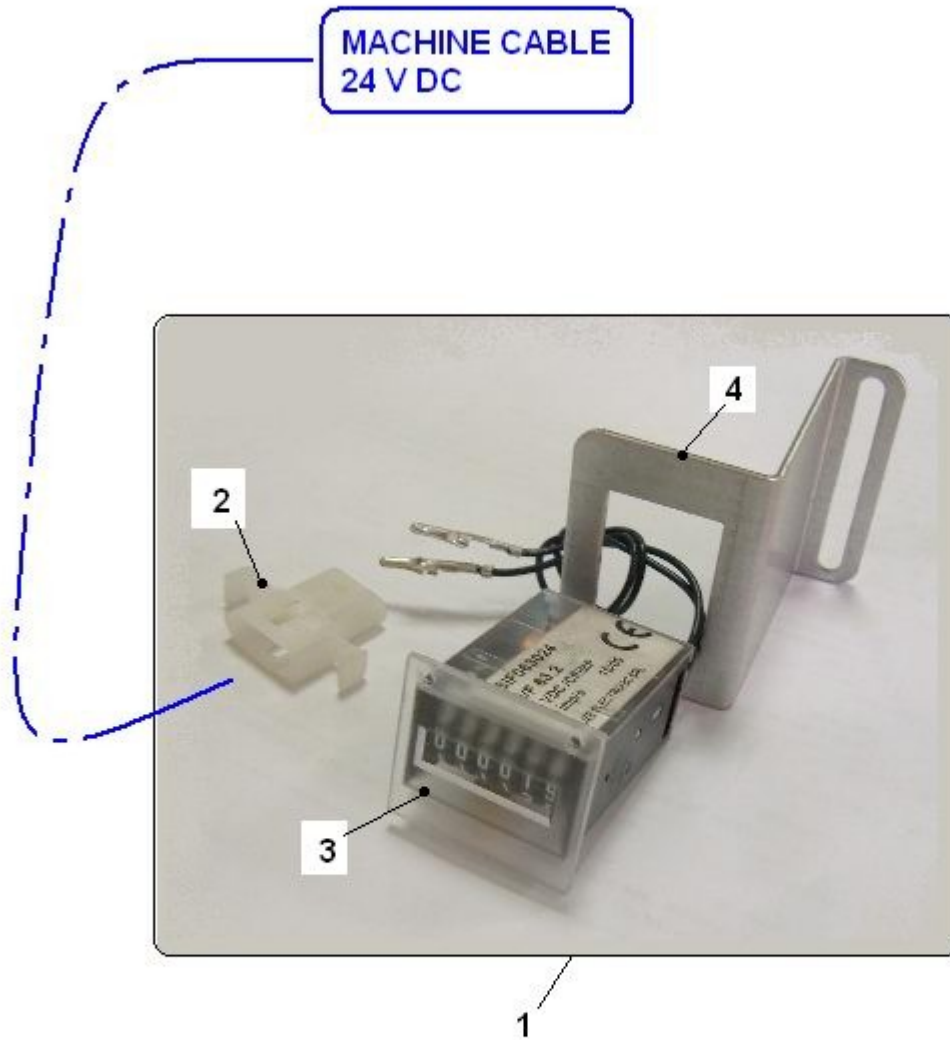
ELETTROV. E VASCHETTA INGRESSO ACQUA (650) - Items detail

Position	SPARE PARTS CODE VARIANT	Accessories	DESCRIPTION	For each main item multiply q.ty by
1	09029763		5x9 transparent silicone pipe	
2	07010711		clapper	
3	16014316		water filter	
4	09027673		TUBO PVC CRIST. SZ. 9X12	
5	05240015M00		3ways connector 9mm ext.	
6	09027623		12x16 L=700 PVC pipe	
7	93008420		water tank assy	
8	41024016		cover	
9	41023916		tank	
10	16017916		complete floating valve	
11	41024116		microswitch guide support	
12	41024516		plastic insulating plate	
14	41024316		microswitch	
15	04033236		turning elbow connection	
16	04035626		nut for elbow connection	
17	05036515		drain tube plug	
18	41023616		witch inox rod	
21	41023716		float valve support	
22	09009823		Nylon tube	
23	19046526		locking bush	
24	19004326		reinforcing bush	
25	09087823-01		brown 5x9 silicon pipe	
26	25019180		electrovalve std. assy support	
27	04036846		elbow connection	
28	05111026		washer silicon	
29	05111016		Ø 25,5 silicone plain gasket	
30	25000146		inlet water electrovalve 24v d	
31	04000131		3/4 GF 1/8 GM connection	
32	04035536		Straight female connection 1/8	
33	19004326		reinforcing bush	
34	09085423		4x6 teflon pipe	
35	04036816		elbow connection	
36	04040716		1/8 - 3/8 straight connection	
37	01525111-03		SQUAD.SUPP.EL-VALV. OR-SI-ANT	
38	04014131		hexagonal nut 1/8GAS	
39	25032540		ASS.SUPP. E-VAL. BVM RIVETT.	

Tables of group :

-  **Coffee Machines**
-  **BVM 972 - Free Standing**
 -  **BV972ES03GG - BVM972 E 5S DC PD**
 -  **ELECTRICS & ELECTRONICS**

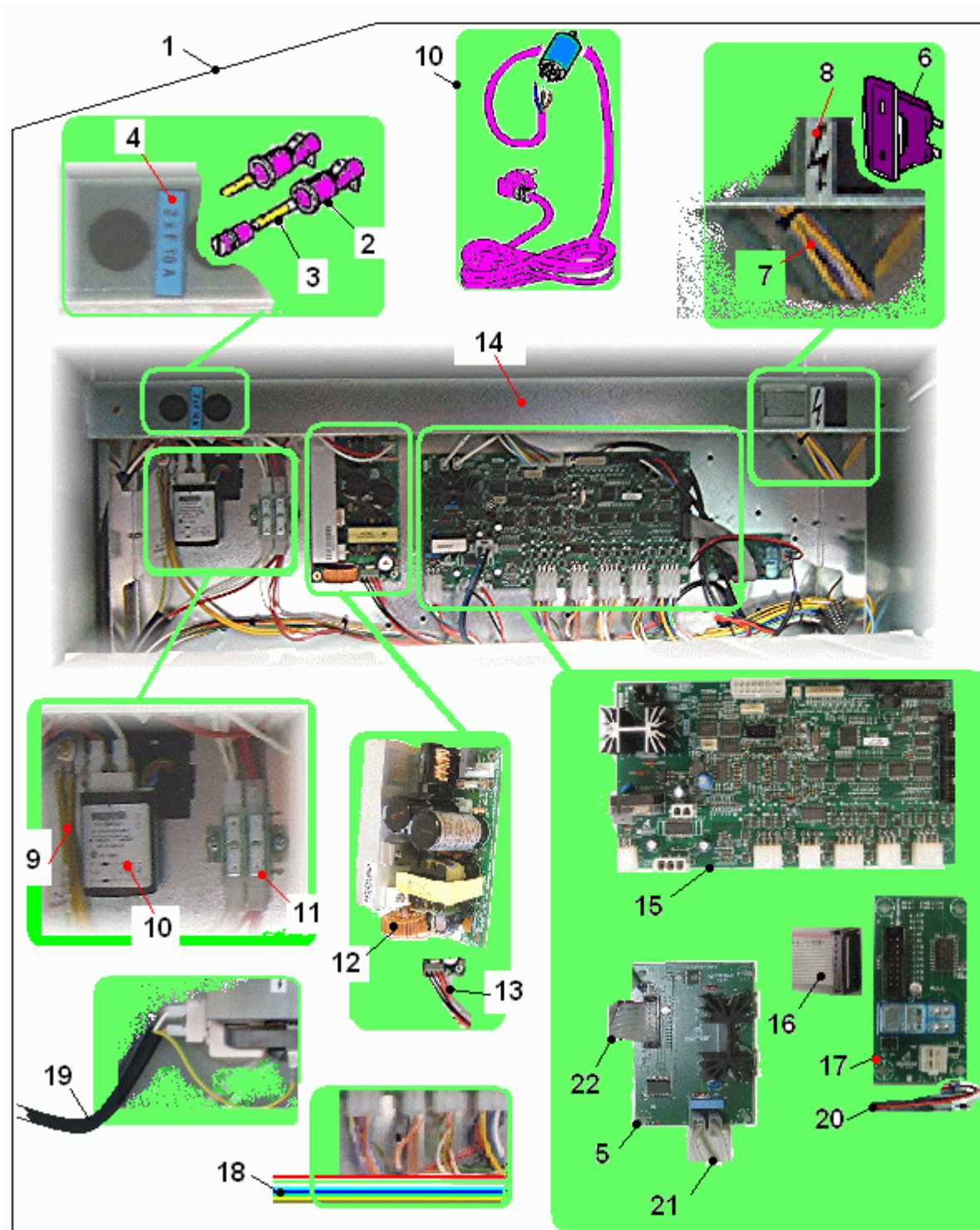
Table: ELECTROMECHANICAL COUNTER KIT (545)



ELECTROMECHANICAL COUNTER KIT (545) - Items detail

Position	SPARE PARTS CODE VARIANT	Accessories	DESCRIPTION	For each main Item multiply q.ty by
1	43030310		sel.counter kit	
2	23009616		3ways female connector	
3	28001156		sel.counter 24VDC quick connec	
4	01669111-01		Mechanical counter support	

Table: ASSIEME SCATOLA ELETTRICA (652)



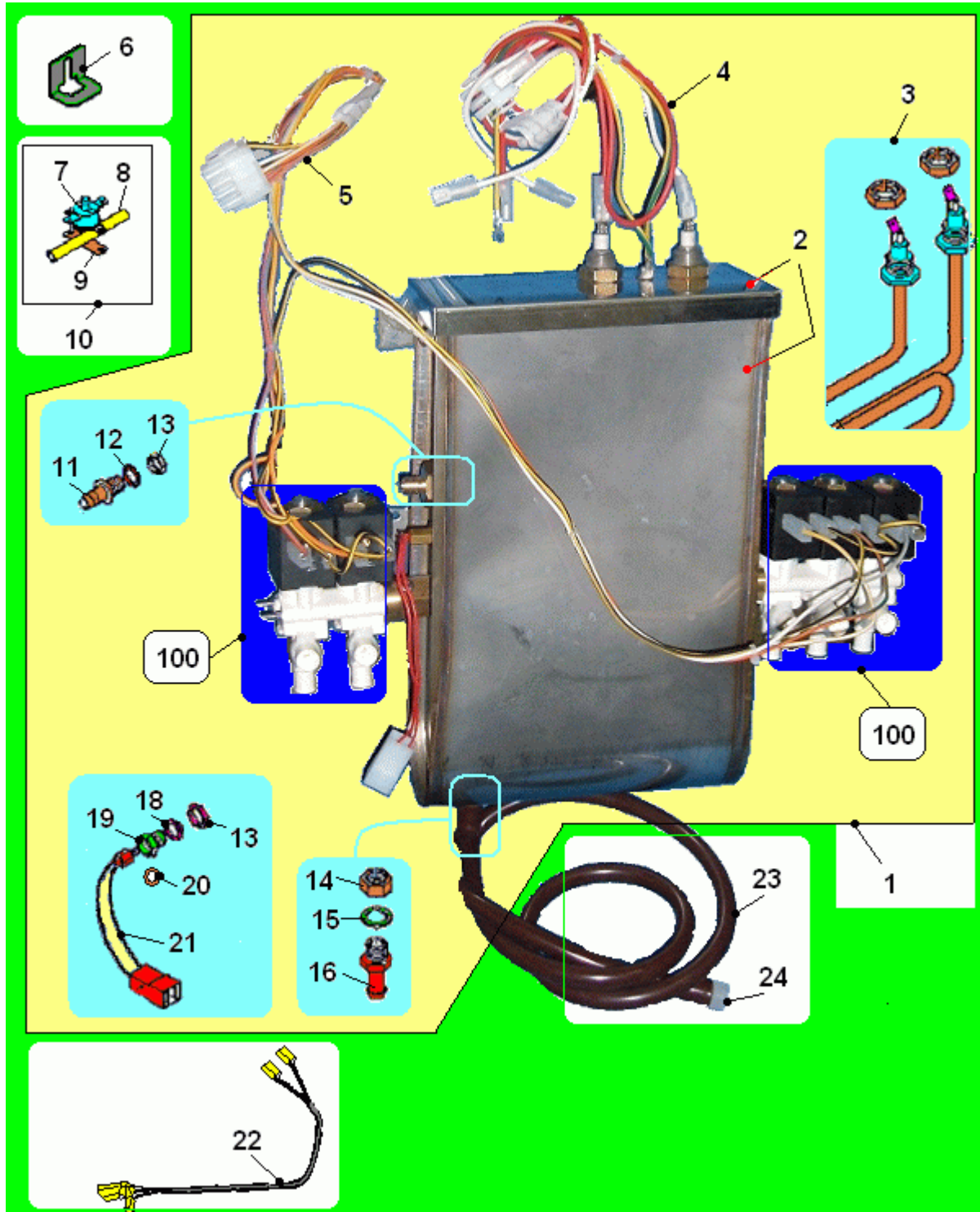
ASSIEME SCATOLA ELETTRICA (652) - Items detail

Position	SPARE PARTS CODE VARIANT	Accessories	DESCRIPTION	For each main item multiply q. ty by
1	94033530		ASS.SCATOL.ELETTROV.BVM972	
2	23017316		6.3x32 snap-type fuse holder	
3	23014916		10 Amp. fuse	
4	30069511-01		TARGH.FUSIB.ORION GP	
5	26048516		NTC/TRIAC power board expansio	
6	23014416		socket 2P+G	
7	22177612		BV971 IVS SWITCH.WIRING	
8	30077911		ground plate pegaso	
9	22043012		CORD.MESSA TERRA L=350	
10	26026326		net filter quick connection wi	
11	23038816		BVM plugs assy	
12	26048316		switch powersup230/110Vac-24Vd	
13	22177512		CABL.ALIMENT.SWITCH BV970 IVS	
14	01828821-01		Power supply box BVM	
15	26048416		power board SMT	
16	22175412		16pins flat cable 100mm	
17	26048616		Grind.Calibr.power board expan	
18	22177412		BV970 IVS GENERAL WIRING	
19	22177712		BV971 IVS SUCTION WIRING	
20	22175312		bvm971 grinder auto calibrat.c	
21	22172412		bvm970 expansion board 230Vcab	
22	22175412		16pins flat cable 100mm	

Tables of group :

-  **Coffee Machines**
-  **BVM 972 - Free Standing**
-  **BV972ES03GG - BVM972 E 5S DC PD**
-  **INSTANT ASSEMBLY**

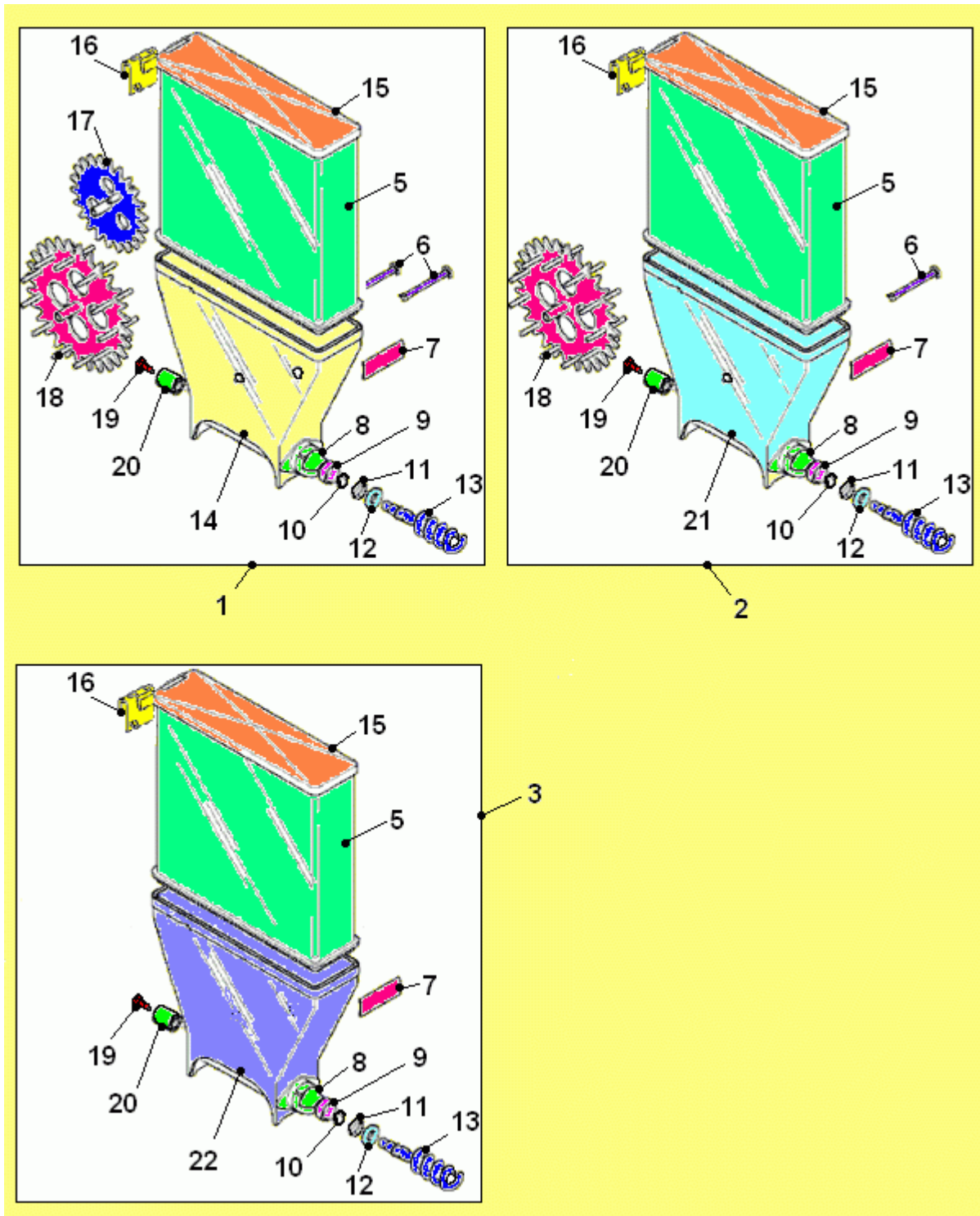
Table: C/O CALDAIA SOLUBILI (653)



C/O CALDAIA SOLUBILI (653) - Items detail

Position	SPARE PARTS CODE VARIANT	Accessories	DESCRIPTION	For each main item multiply q.ty by
1	43036010		C/O CALD.IN2-3 DC BV972 C/CAV	
2	01587612		inox boiler body+cover	
3	29003932		2000W heating element	
4	22171912		bvm970DC instant boiler cable	
5	22178212		BV970 electrovalve wire	
6	01856911		SQUAD.BLOC.COPER.CALD.BV972 DC	
7	25014936-01		clixon75°C	
8	09078221		clixon pipe	
9	01213411		clixon plate	
10	26020612		NTC sensor 100k assembly	
11	04037511		straight connection	
12	18002516		copper gasket	
13	04014131		hexagonal nut 1/8GAS	
18	18002516		copper gasket	
19	04040111-01		nut for instant boiler probe	
20	18002616		copper washer	
21	26020612		NTC sensor 100k assembly	
22	22178412		BV971 IVS PROBE WIRING	
23	09087823-01		brown 5x9 silicon pipe	
24	05036515		drain tube plug	

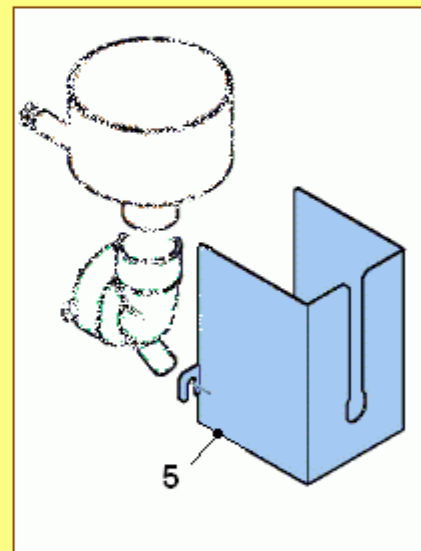
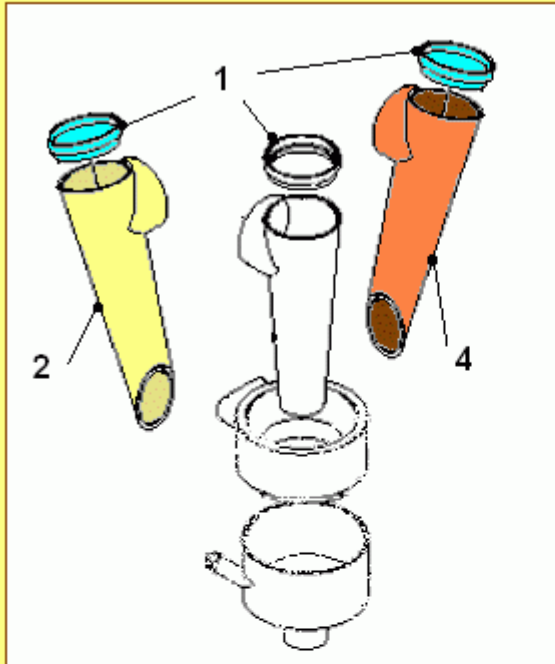
Table: SCATOLE DOSATRICI POLVERI (654)



SCATOLE DOSATRICI POLVERI (654) - Items detail

Position	SPARE PARTS CODE VARIANT	Accessories	DESCRIPTION	For each main item multiply q.ty by
1	96035620-01		2 wheels prod. canister (high)	
2	96034330-01		new canister assy (1 wheel)	
3	96034420-01		big prod.canist. without wheel	
5	05112715		hight product canister	
6	05133115-01		canister pivot	
7	05113415		hook	
8	05158515-01		auger for product canister	
9	05112535		auger pin bushing	
10	36200616		Oring 15x2	
11	36250016		D1 043 gasket	
12	05113215		sealing bushing for auger	
13	05124515		dispensing auger	
14	05158615-01		SCAT.DOS.-INF. X 2 RUOTE	
15	05112915		canister lid	
16	05113015		hook for canister	
17	05112315		secondary cogwheel for caniste	
18	05112215-01		main cogwheel for canister	
19	32222916		2,9x13 self-tapping screw	
20	05113315		auger joint	
21	05158625-01		SCAT.DOS.-INF. X 1 RUOTA	
22	05158635-01		product canister without wheel	

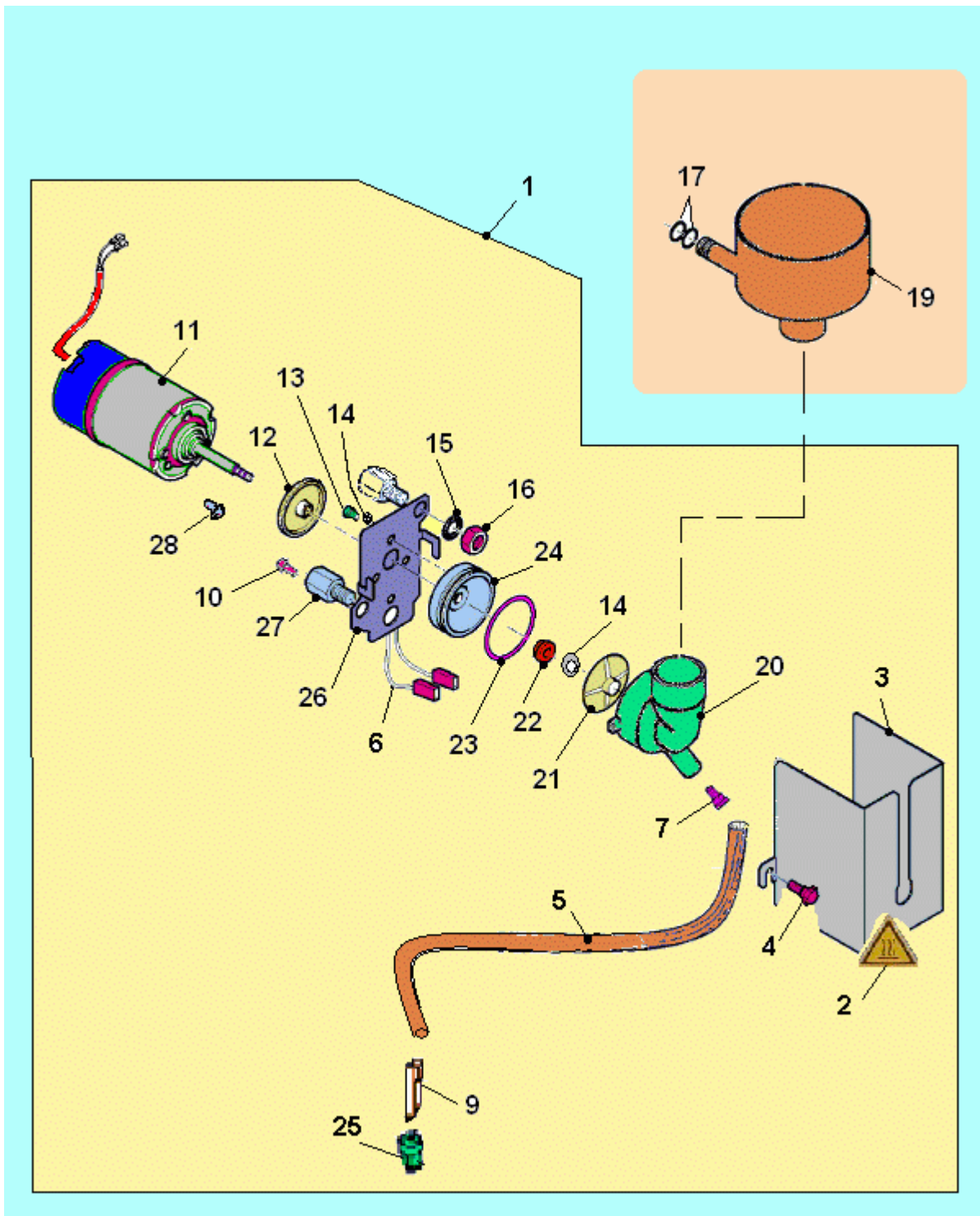
Table: PARTI DI COMPLETAMENTO (660)



PARTI DI COMPLETAMENTO (660) - Items detail

Position	SPARE PARTS CODE VARIANT	Accessories	DESCRIPTION	For each main item multiply q.ty by
1	05160415-01M37		powder funnel cap brown	
2	05160655		brown right powder funnel l=10	
4	05160665		brown left powder funnel l=101	
5	01601111-03		heating chamber cover	

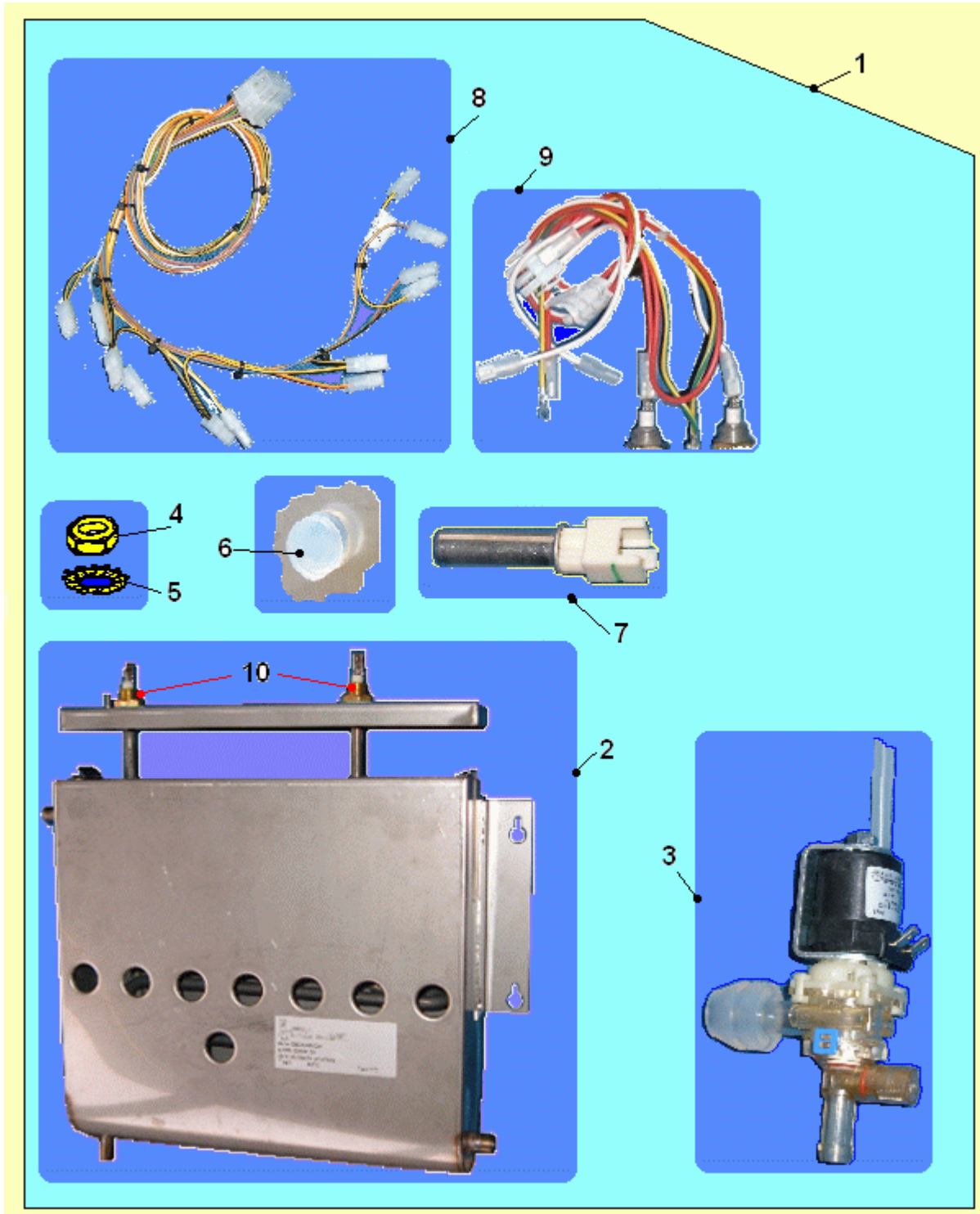
Table: KIT CAMERA MI SCELAZIONE RISCALDATA (406)



KIT CAMERA MI SCELAZIONE RISCALDATA (406) - Items detail

Position	SPARE PARTS CODE VARIANT	Accessories	DESCRIPTION	For each main Item multiply q.ty by
1	43035310		KIT COPPETTA RISCALDATA BVM971	
2	30069411-01		temperat.safety sticker	
3	01601111-03		heating chamber cover	
4	32218016		self-tapping glass fixing 4,8x	
5	09087823-01		brown 5x9 silicon pipe	
6	29004216		20W 24V heating element(heat.m	
7	05102225		brown mixing chamber	
9	05099715-01		L=48 nozzle	
10	32050516		screw 4 MAX10	
11	20020016		24VDC mixermotor screwed shaft	
12	05154015		mixer protection disk	
13	32060416		4MAX8 screw	
14	35155236		level ground washer Ø 4.3 IX	
14	35160316		d. 4,2 IX self locking washer	
15	35160616		Ø 8.3 self-locking washer	
16	34103116		8MA hex nut	
17	36203816		OR 106 6,75/1,78 gasket	
19	05113725		heated mixing bowl	
20	05137615		verton mixer chamber	
22	36351215		green V-seal gasket	
23	36212516		O-Ring 29,74x2,95 viton	
24	19033441		mixer base	
25	05099615		nozzle bush	
26	01123821		61,5 step bowl support	
27	19056531		nut	
28	32050416		M4x8 screw	

Table: C/O CALDAIA SOLUBILI 6 ELETTROV. (683)



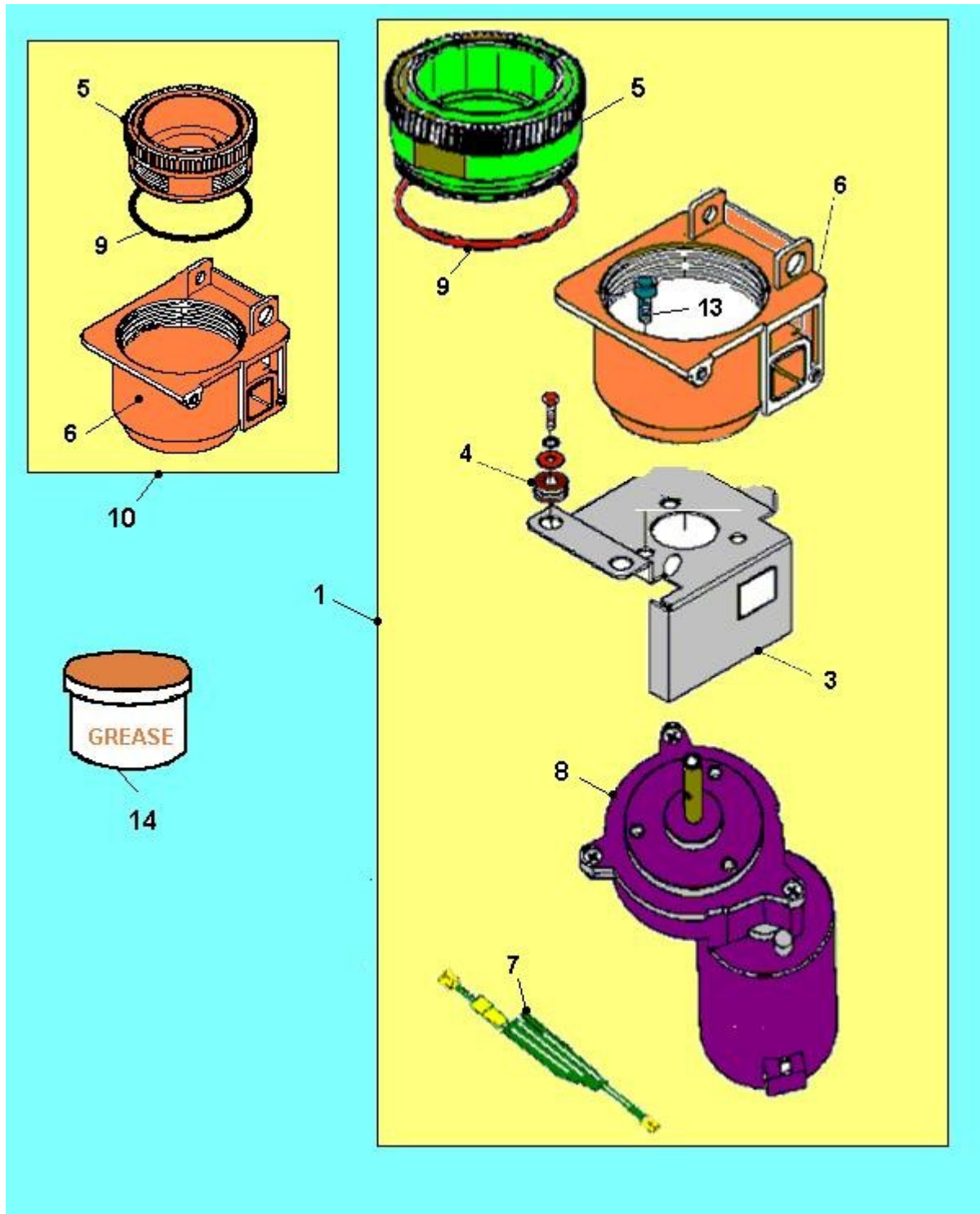
C/O CALDAIA SOLUBILI 6 ELETTROV. (683) - Items detail

Position	SPARE PARTS CODE VARIANT	Accessories	DESCRIPTION	For each main Item multiply q.ty by
1	87011510		C/O CALD. 6 ELETTROV.BV972 IN	
2	01846210		ASS.CALDAIA 7 ELETTROVAL.BV972	
3	25032616		E.V.CADUT.CALD.SOL BV972+MANIC	
4	34102826		4ma nut	
5	35160316		d. 4,2 IX self locking washer	
6	05248526		MANIC.CHIUS.EL-VAL.CALD.006779	
7	26051616		SENS.TEMPERAT.C/NTC 100K BV972	
8	22182812		CABL.EL-VALV.BV972 INSTANT	
9	22182912		CABL. 230V CALD. BV972 INSTANT	
10	43037116		RESISTENZA x CALDAIA SOL BV972	

Tables of group :

 **Other tables**

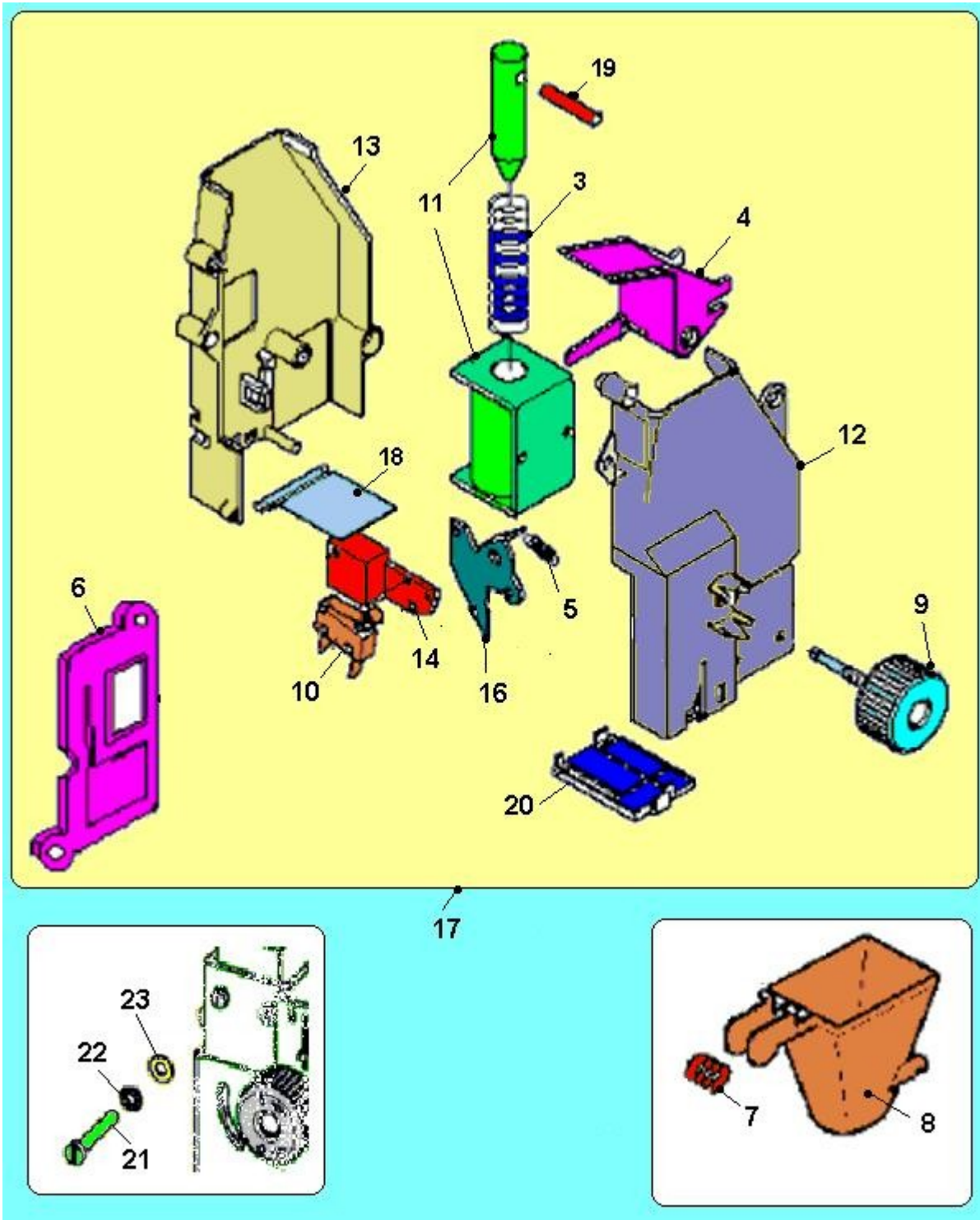
Table: VERTICAL GRINDER ASSEMBLY(30)



VERTICAL GRINDER ASSEMBLY(30) - Items detail

Position	SPARE PARTS CODE VARIANT	Accessories	DESCRIPTION	For each main Item multiply q.ty by
1	41038520		new grinder assy 24VDC ametek	
3	01586921		SUPP. XMACININO AMETEK	
4	23004086		cable damper(6*15 - rubber)	
5	05134615		grinder blade ring	
6	05134515		grinding chamber	
7	22126622		PROTEZ.MOT.MAC. AMETEK FAST4,8	
9	36211316		O-ring 3262 NBR 70 SH	
10	43018910		grinder chamber assy	
14	43028311		40g food grease	

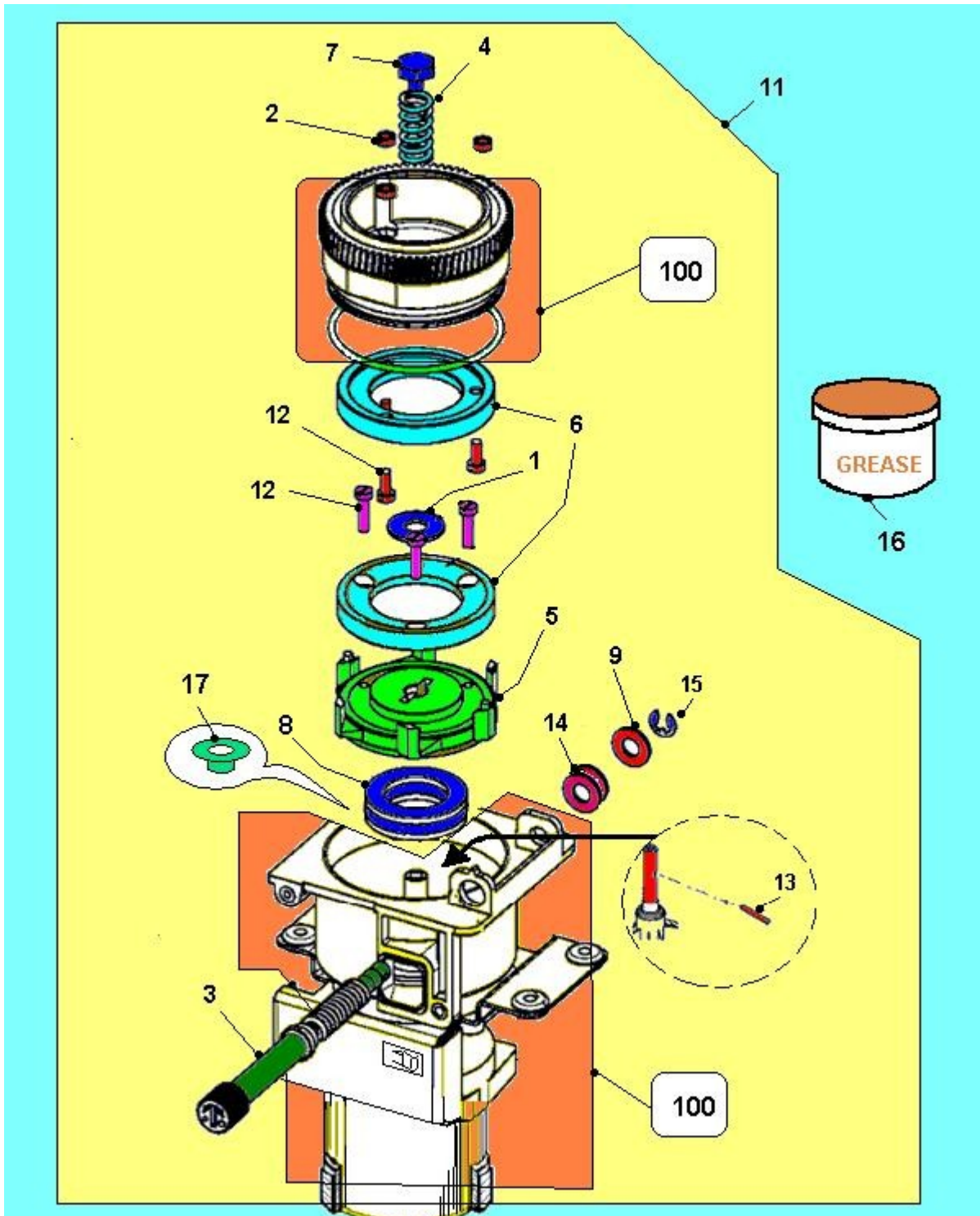
Table: COFFEE DOSER(32)



COFFEE DOSER(32) - Items detail

Position	SPARE PARTS CODE VARIANT	Accessories	DESCRIPTION	For each main Item multiply q. ty by
3	07020511-01		magnet spring	
4	05135115-01		coffee doser tray	
5	07020611		spring	
6	05155615-01		spacer	
7	07020911		coffee funnel spring	
8	05135415		plastic coffee doser	
9	05135215		dose adjustment knob	
10	26029616		microswitch with cable(proof)	
11	20019146-01		magnet 5% 24v dc	
12	05134815		Doser front cover	
13	05134925		Doser rear cover	
14	05154615		micro. coffee-dos. support	
16	01586212		micro support	
17	43002410-01		doser assy with spacer	
18	05135315		coffee doser mobile wall	
19	33051716		4x25 IX parallel pin	
20	05135025		top cover for doser	
21	32061116		4MAX40 TCscrew	
22	35160326		tooth washer D. 4,2IX	
23	35155216		plain washer for 4M screw	

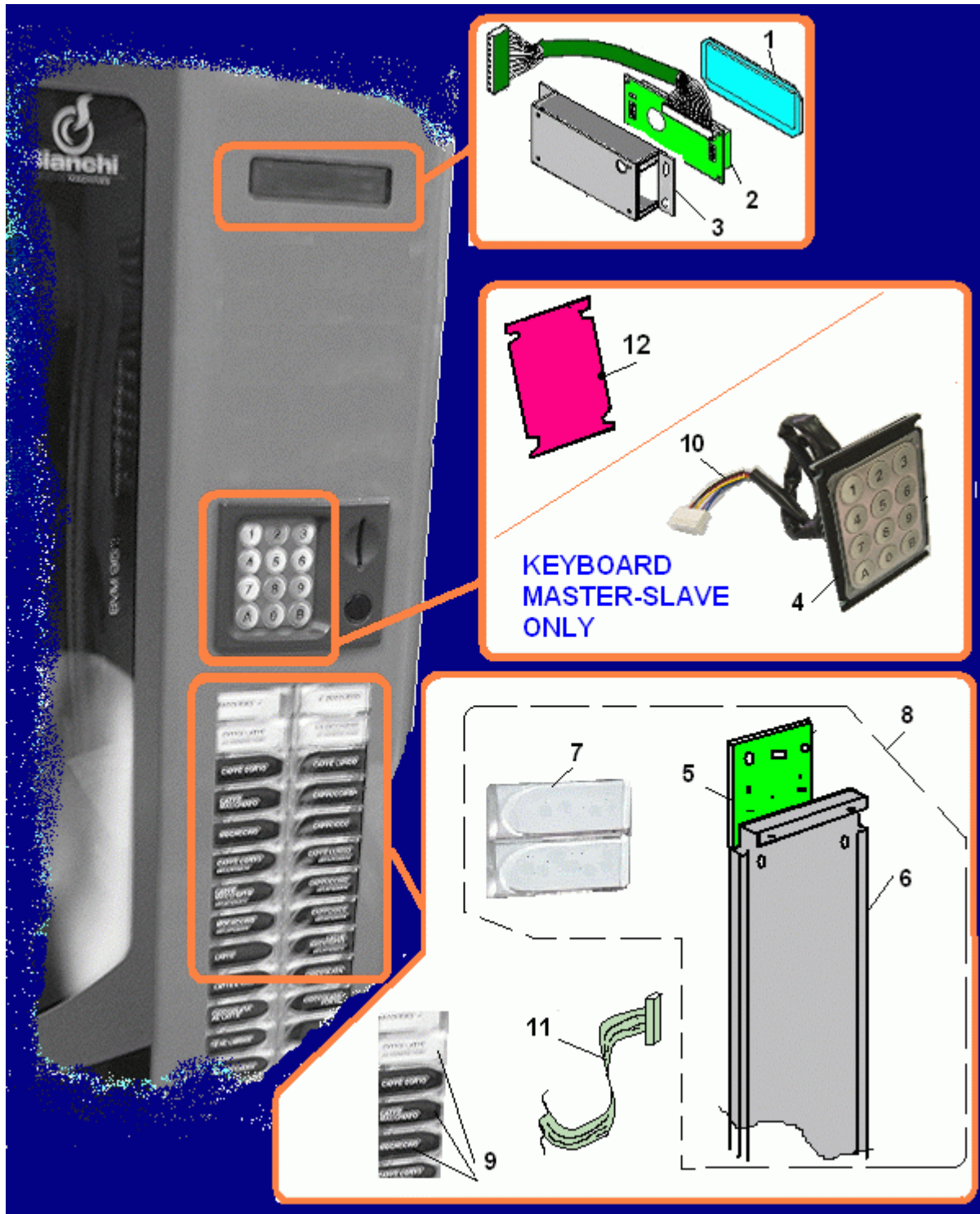
Table: GRINDER WITH VERTICAL MOTOR(29)



GRINDER WITH VERTICAL MOTOR(29) - Items detail

Position	SPARE PARTS CODE VARIANT	Accessories	DESCRIPTION	For each main Item multiply q. ty by
1	01586411		blade holder disk 9.25x23x1.5	
2	34102816		4MA hex nut	
3	05134715		grinder adjustment screw	
4	07020411		grinder holder spring	
5	13008211-01		mobile blade support	
6	18007316-01		D=64 grinder blade	
7	19059021		screw for ametek spring	
8	19059216		bearing	
9	35155516		washer	
11	86001310-01		ametek grinder assy	
12	32060516		4MAX10 screw	
13	12017411		wire D30x30	
14	23004086		cable damper(6*15 - rubber)	
15	37001116		Ø 6 seeger ring	
16	43028311		40g food grease	
17	19060411		bush with washer	
100	See Table "VERTICAL GRINDER ASSEMBLY(30)" - Pag. 62			

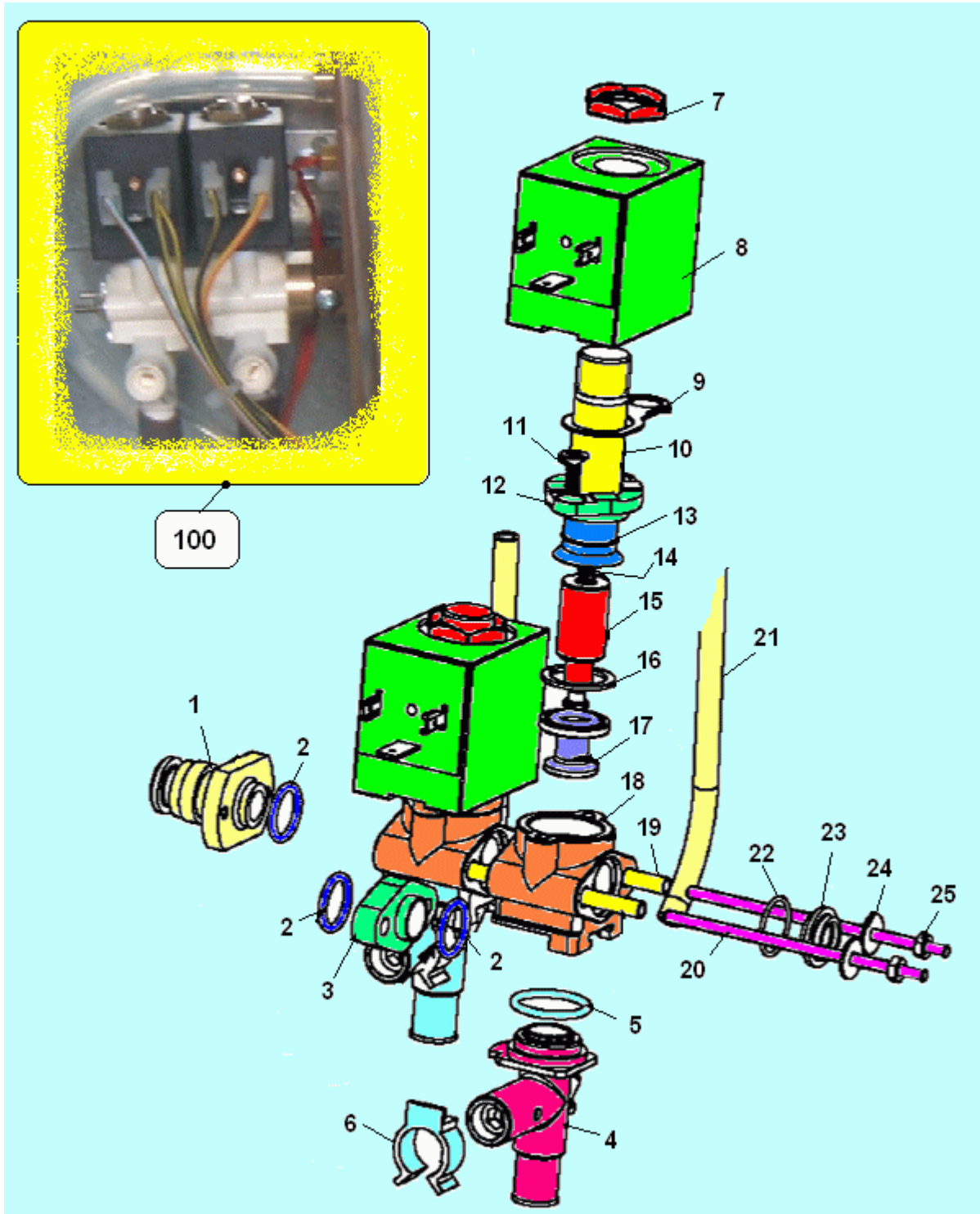
Table: KEYPAD - DISPLAY (412)



KEYPAD - DISPLAY (412) - Items detail

Position	SPARE PARTS CODE VARIANT	Accessories	DESCRIPTION	For each main Item multiply q.ty by
1	05232515M00		display transp.protection	
2	26047916		NEW DISPLAY 16X2	
3	01793011		Display support plate	
4	30100926		M/S metal keypad A/B	
5	26048016		BVM951/971 keypad board	
6	01795112		Keypad plate assy	
7	05232415M00		selection button	
8	26048210		BVM971 keyboard assembly	
9	30262811		selection labels BVM951/971	
10	22170812		flat cable (A/B metal keypad)v	
11	22175422		16pins flat cable 900mm	
12	01806311		reinforcement plate for M/S ho	

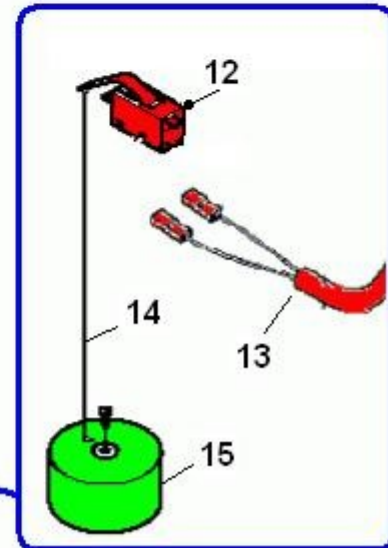
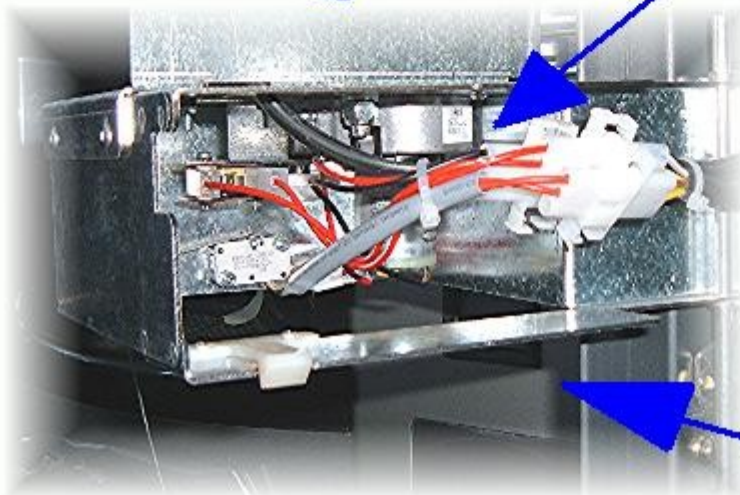
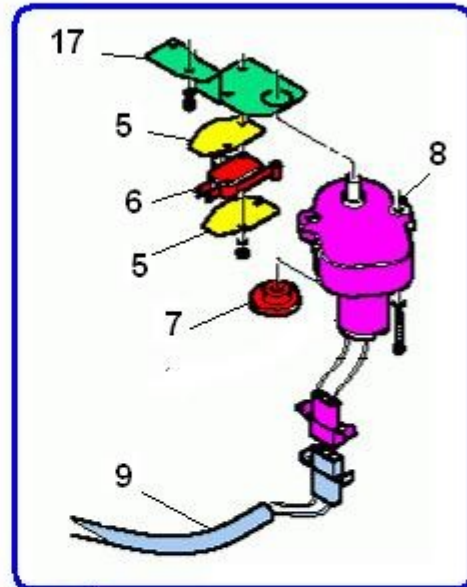
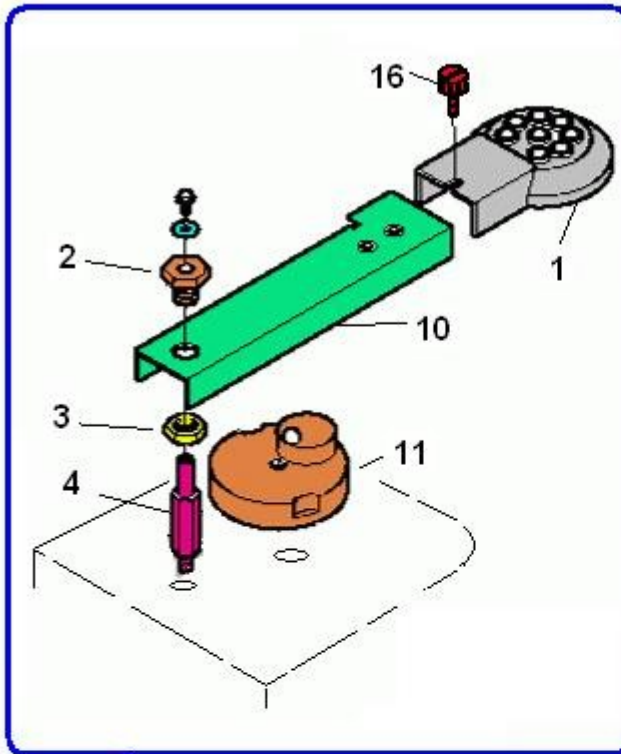
Table: ELECTROVALVE TWO WAYS ERA COMPONENTS (478)



ELECTROVALVE TWO WAYS ERA COMPONENTS (478) - Items detail

Position	SPARE PARTS CODE VARIANT	Accessories	DESCRIPTION	For each main Item multiply q.ty by
1	43020816		Era E.V. inlet connection	
2	43020916		Era E.V. 11x2 gasket	
3	43021016		Era E.V. spacer flange	
4	43021116		Era E.V. lower pipe holder conn	
5	43021216		Era E.V. 16x2 gasket	
6	43021316		Era E.V. fixing ring	
7	43021416		Era E.V. hexagonal nut	
8	43021516		Era E.V. 24VDC 10W coil	
9	43021616		Era E.V. pipe holder clip	
10	43021716		Era E.V. cylinder	
11	43021816		Era E.V. head fixing screw	
12	43021916		Era E.V. head	
13	43022016		Era E.V. 12,8x0,6 gasket	
14	43022116		Era E.V. core spring	
15	43022216		Era E.V. 24VDC core	
16	43022316		Era E.V. washer	
17	43022416		Era E.V. core membrane	
18	43022516		Era E.V. body	
19	43022616		1Era E.V. pipe guide	
19	43022626		2Era E.V. pipe guide	
19	43022636		3Era E.V. pipe guide	
19	43022646		4Era E.V. pipe guide	
19	43022656		5Era E.V. pipe guide	
20	43022716		threaded bar for 1 Era E.V.	
20	43022726		threaded bar for 2 Era E.V.	
20	43022736		threaded bar for 3 Era E.V.	
20	43022746		threaded bar for 4 Era E.V.	
20	43022756		threaded bar for 5 Era E.V.	
21	09037141		4x6 silicone transp. pipe	
22	43022916		Era E.V. gasket 13x1	
23	43023016		Era E.V. cap	
24	43023116		Era E.V. washer for threaded b	
25	34102736		3MAaIX nut	
100	See Table "ELECTROVALVES GROUP -ERA- TWO WAYS (479)" - Pag. 41			

Table: COMPONENTI SUPPORTO UGELLI (603)



COMPONENTI SUPPORTO UGELLI (603) - Items detail

Position	SPARE PARTS CODE VARIANT	Accessories	DESCRIPTION	For each main Item multiply q.ty by
1	05089925-01M37		8 pos.nozzles supp.flange PA66	
2	19057411		nozzle arm bush	
3	04014111		hexagonal nut 1/4GAS	
4	19057311		nozzle arm pivot antares	
5	08004111		microswitch insulation	
6	26005126		microswitch with wheel	
7	05110715		orion micro cam	
8	20018816-01		MOTORID.24VBIALBERO 2,2nF 100V	
9	22111312		nozzle support cable low volt.	
10	01509811-01		BRACC.SUPP. UGELLI ANTARES	
11	05089715M37		nozzle drive cam brown	
12	26013726		too full microswitch	
13	22130312		orion GP micro floater cable	
14	22021116		0,80 nylon wire	
15	05074412		floater assembly	
16	19043521		fixing knob	
17	01630011-01		micro support	

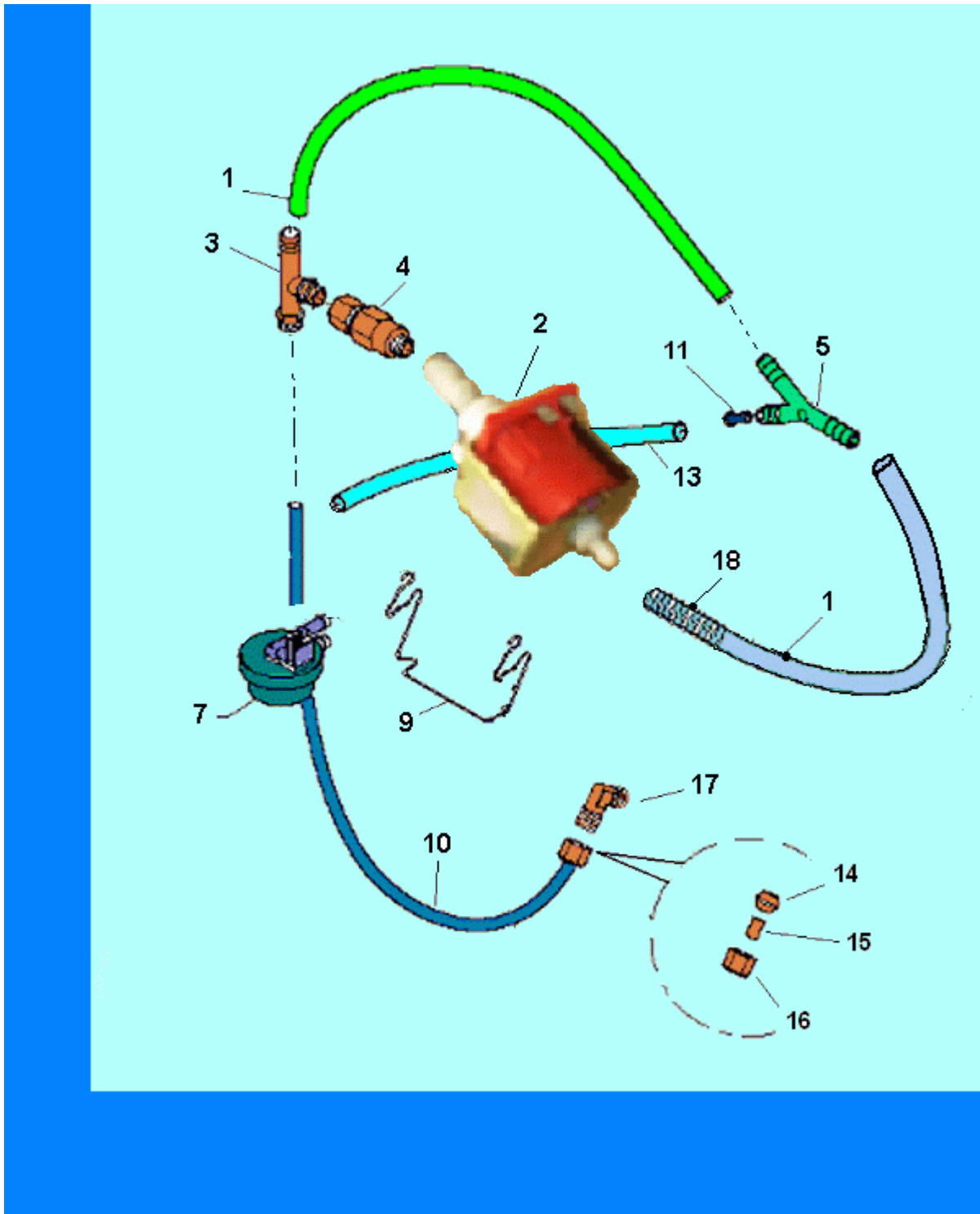
Table: COMPONENTI PER MISCELATORI (615)



COMPONENTI PER MISCELATORI (615) - Items detail

Position	SPARE PARTS CODE VARIANT	Accessories	DESCRIPTION	For each main Item multiply q.ty by
1	05113825		brown mixing bowl cover	
2	05071915		aspiration pipe connection	
3	33050126		3.2x8 rivet	
4	20020016-01		24VDC mixermotor screwed shaft	
5	05154015		mixer protection disk	
6	05132525		brown r. holder connec.for 3,5	
7	05133242		brown mixer flange with washer	
8	32224356		3.9x22 self-tapping screw	
9	05111825		mixer impeller	
10	05111625		brown mixing chamber	
12	36210716		OR 3131 gasket	
13	36351215		green V-seal gasket	
14	05102225		brown mixing chamber	
15	35155236		level ground washer Ø 4.3 IX	
16	05145925		sprint mixing bowlcollar brown	
17	05113745		brown mixing bowl	
18	43027810		pipe-kit for the	
19	05141825		brown tea serpentine support	
20	07017711		tea serpent. spring	
21	09087843-01		7x11 brown silicone pipe	
22	32227256		3.9x9.5 self-tapping screw	
23	35168616		plain washer	
24	05139625		lower aspiration box pegIVS	
25	05139725		upper aspiration box	
26	05159025M37		rubber holder connection suppo	
27	05113725		heated mixing bowl	
28	05137615		verton mixer chamber	
29	36212516		O-Ring 29,74x2,95 viton	
30	35160616		Ø 8.3 self-locking washer	
31	29004216		20W 24V heating element(heat.m	
32	01123821		61,5 step bowl support	
33	19056531		nut	
34	32050516		screw 4 Mx10	
35	32060416		4Mx8 screw	
36	19033441		mixer base	
37	35160316		d. 4,2 IX self locking washer	

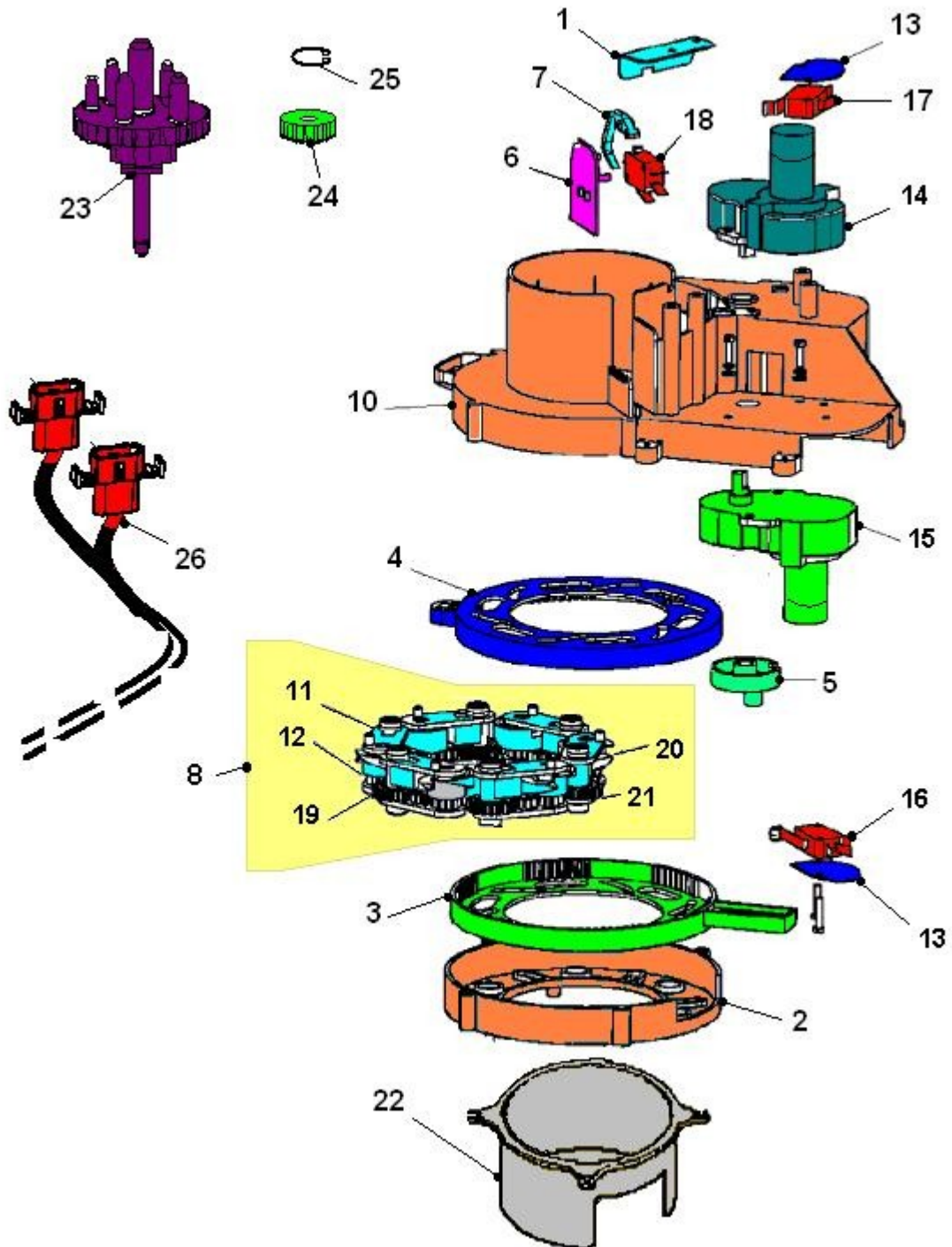
Table: POMPA ACQUA 24 V - RILEVATORE DI FLUSSO (617)



POMPA ACQUA 24 V - RILEVATORE DI FLUSSO (617) - Items detail

Position	SPARE PARTS CODE VARIANT	Accessories	DESCRIPTION	For each main Item multiply q.ty by
1	09029763		5x9 transparent silicone pipe	
2	27003316		EX5 230V-50Hz Ulka electropump	
3	04040916		safety valve	
4	04041016		anti return valve male/female	
5	05240015M00		3ways connector 9mm ext.	
9	07016416-01		pump support	
10	09085423		4x6 teflon pipe	
11	05102215		reduction	
13	04040916		safety valve	
14	19046526		locking bush	
15	19004326		reinforcing bush	
16	04035626		nut for elbow connection	
17	04034616		turning elbow connection	
18	07017711		tea serpent. spring	
77	24012116		flow sensor	

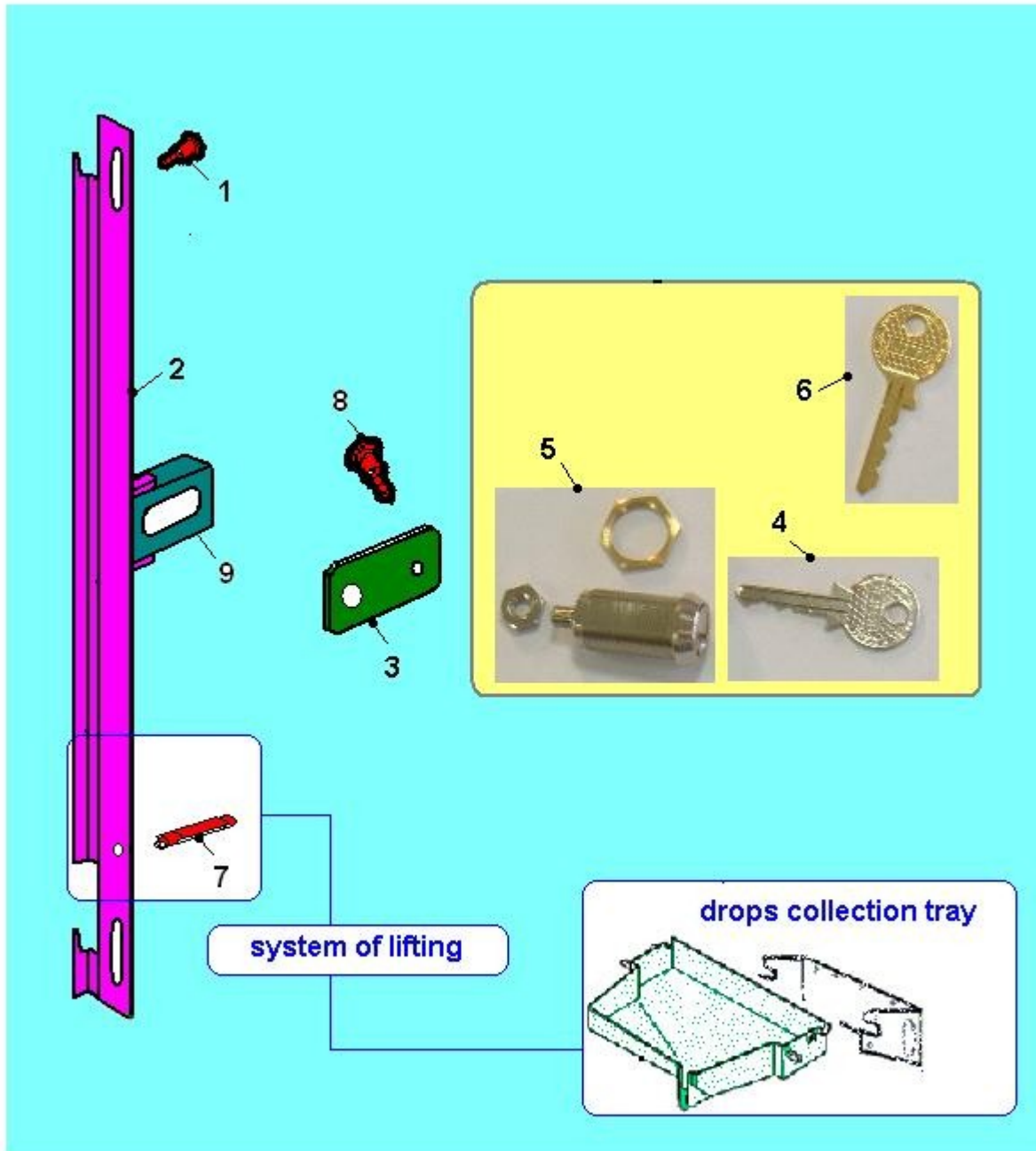
Table: COMPONENTI SGANCI A BICCHIERI (628)



COMPONENTI SGANCIA BICCHIERI (628) - Items detail

Position	SPARE PARTS CODE VARIANT	Accessories	DESCRIPTION	For each main Item multiply q.ty by
1	01576411		microswitch support bracket	
2	05120615M37		cupdispencer lower cover brown	
3	05120815M37		cups ejecting ring brown	
4	05120915M37		cup diam.regulation ring brown	
5	05121215-01M37		Cup dispen.microswitch supp.br	
6	05121215-01M37		Cup dispen.microswitch supp.br	
7	05121315-02		cup presence sensor	
8	05131010		cup dispenser starer	
10	05140115M37		upper cover c/pop brown	
11	05121915		upper cochlea support	
12	05121715		cup disp. Neutal pinion	
13	08004111		microswitch insulation	
14	20018416-01		MOTORID.24VDC 12RPM 2,2nF 100V	
15	20019316-01		24V DC gearmotor (NEW)	
16	26005136		microswitch with wheel	
17	26005156		micro with lever	
18	26017016		micro without lever 10gr-	
19	05121515		cup dispencer cochlea	
20	05121615		cup dispencer cochlea movem.pi	
21	05121815		lower cochlea support	
22	05121015		pegaso funnel	
23	05136015		cam for cup turret rotation	
24	05136115		cup dispenser motor pinion	
25	37003116		ring	
26	22178612		CABL. SGANCIABICCH. BV970 IVS	

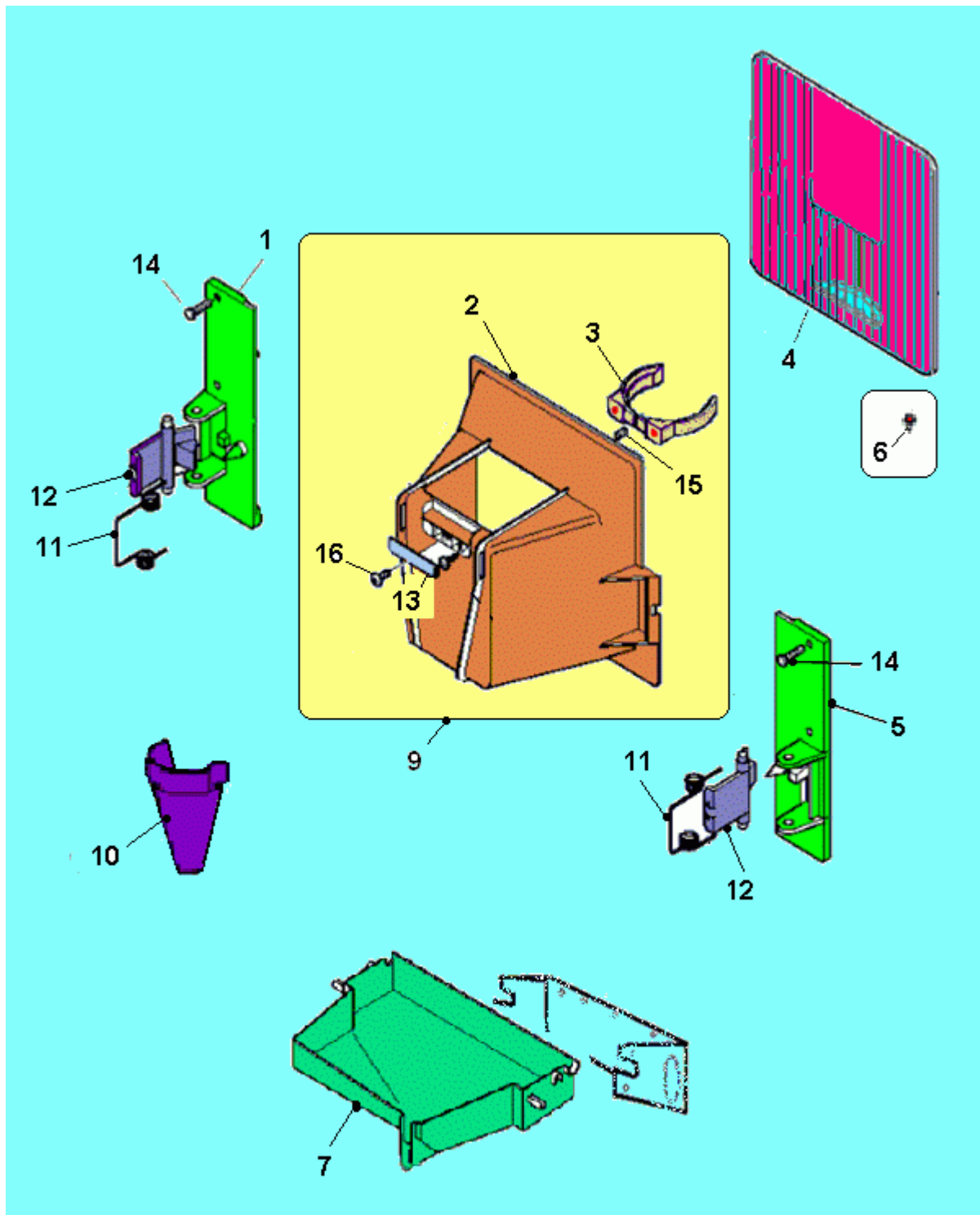
Table: SERRATURA (631)



SERRATURA (631) - Items detail

Position	SPARE PARTS CODE VARIANT	Accessories	DESCRIPTION	For each main item multiply q.ty by
1	19055511		lock rod screw	
2	01826111		ASTA CHIUSURA PORTA BV971 IVS	
3	01768221		GANCIO SERRATURA RIELDA BVM971	
4	41029836		Rielda's lock key EMK handle	
5	41029616		Rielda standard lock	
6	43001716		unlock-key AJ182R for Rielda	
7	05107735M37		brown drop tray knob	
8	12016116		drawer wheel pin	
9	01826211-01		PIASTRINA MOVIMENTO ASTA BV971	

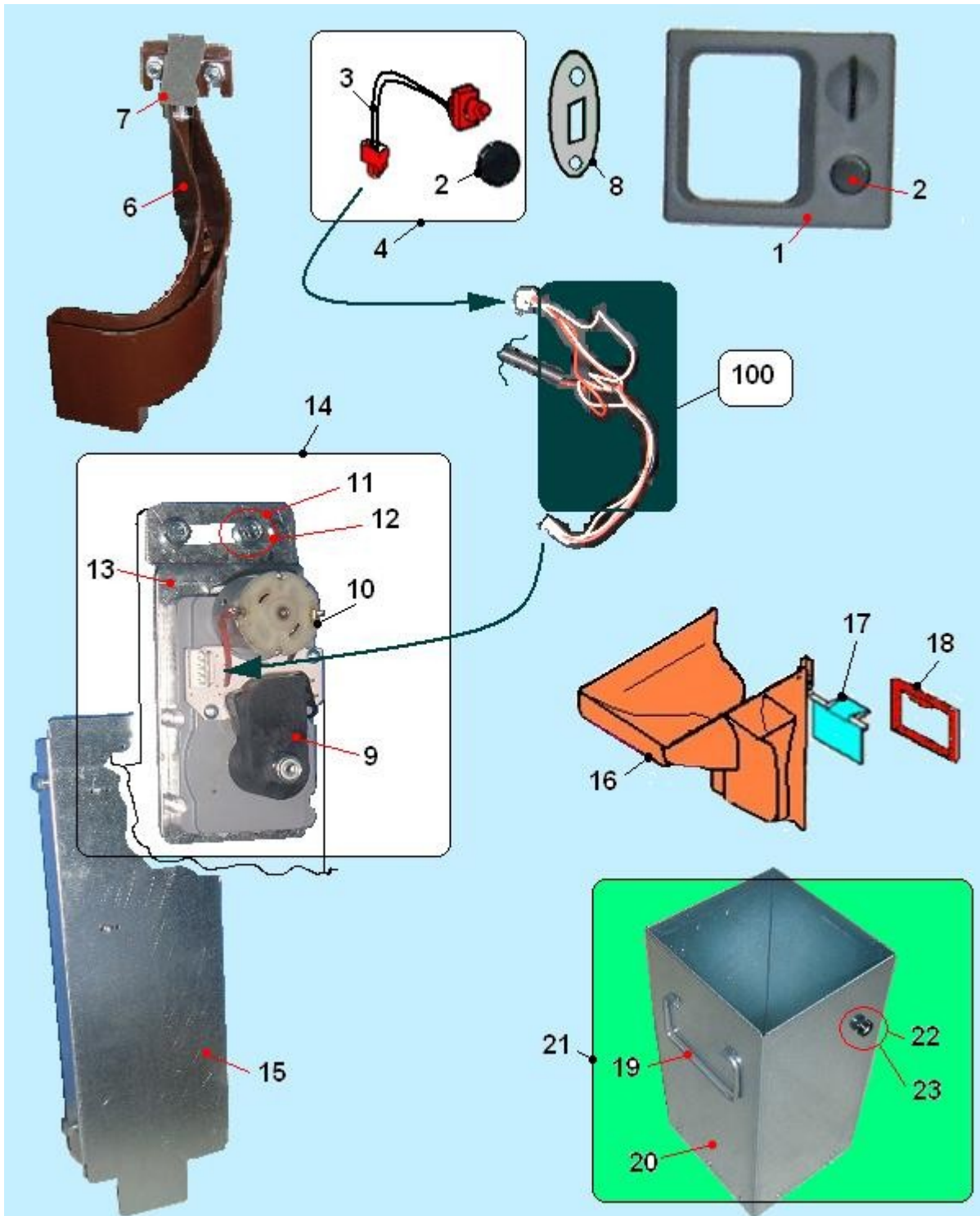
Table: VANO EROGAZIONE (633)



VANO EROGAZIONE (633) - Items detail

Position	SPARE PARTS CODE VARIANT	Accessories	DESCRIPTION	For each main item multiply q.ty by
1	05103425		left cup station support blac	
2	05103225		black cup station	
3	05000315		cup fork	
4	05103615		cup station door	
5	05103325		black cup station lever suppor	
6	05099116		blow-hole rubber cap	
7	05103715-01M37		drops collection tray brown	
9	05108320R		dispensingchamber assembly	
10	05103815-01		dispensing chamber funnel	
11	07017311		catch lever spring	
12	05103525		black cup station lock-lever	
13	05134415		delivery area plate	
14	32090616		5max18 te screw	
15	32110416		5MAX10 hexagonal socket gr	
16	32008726		spec.m5x15 tc screw	

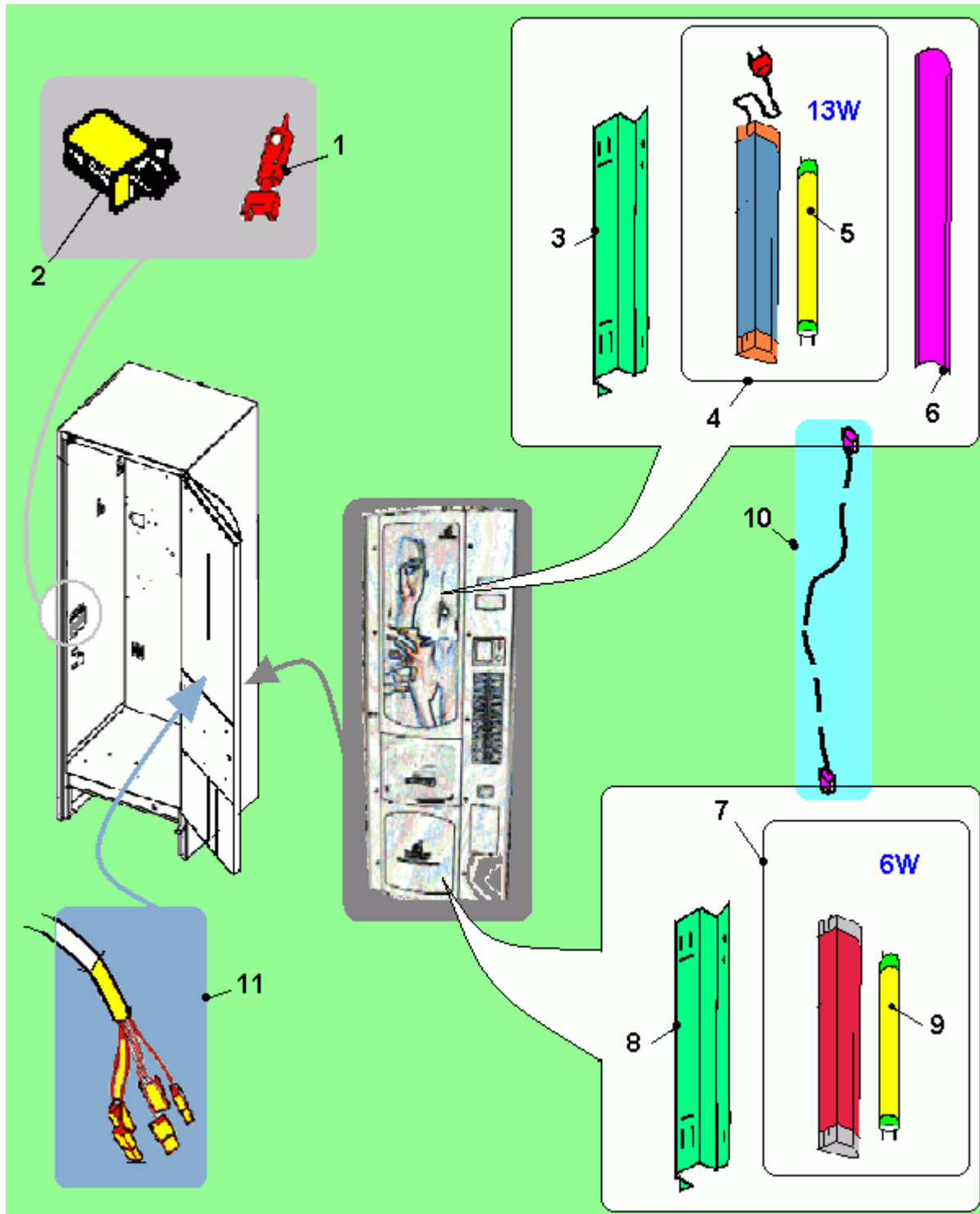
Table: INTRODUZIONE MONETA (647)



INTRODUZIONE MONETA (647) - Items detail

Position	SPARE PARTS CODE VARIANT	Accessories	DESCRIPTION	For each main Item multiply q.ty by
1	05232215M30		coin introd+m/s frame graphite	
2	05232315M09		black change giver button	
3	26019492		change giver button	
4	43018810		change-giver button with cap a	
6	05233515M37		Coin Introduction slide	
7	01807111		coin slide roof	
8	01796011		button support plate	
9	05192815		change giver cam	
10	20031216		change giver gearmotor	
11	32122916		M5x10 screw	
12	34115416		M5 nut with washer	
13	01799011-01		Change giver motor support	
14	96065520		coin return motor assembly	
15	01825812		ASS.SUPP.GETTONIERA BVM971 IVS	
16	05233615-01M37		coin recovery channel	
17	05083115-01M30		PORTEL. RECUP. MON. GRIGIO	
18	05139215M30		coin recovery frame (graphite)	
19	12028011		coin box handle	
20	01830112		ASS.CASSETTA MONETE BV971 IVS	
21	43035810		ASS.CASSET.MON.971 IVS C/MANIG	
22	05158215		rivet bush 14*75	
23	33050196		RIVETTO 4X7 ALLUM.A STRAPPO	
100	See Table "NEON E PARTI ELETTRICHE (662)" - Pag. 86			

Table: NEON E PARTI ELETTRICHE (662)



NEON E PARTI ELETTRICHE (662) - Items detail

Position	SPARE PARTS CODE VARIANT	Accessories	DESCRIPTION	For each main item multiply q. ty by
1	05097215-01M37		Service key XT Clixon brown	
2	26016726		safety switch	
3	01813111		SUPP.SUPERIORE NEON BVM971	
4	23039136		Neon lamp + 230V 13W cable	
5	41081636		Neon kit for lamp 13W	
6	05115016		lamp cover V850	
7	23039116		Neon lamp + 230V 6W cable	
8	01813311L30		SUPP.INFER.NEON BV951/971 GRA	
9	41081616		Neon kit for lamp 6W	
10	22176012		CAV.DOPPIA LAMP. BV95/97 L.1,4	
11	22177812-01		CABL. PORTA BV970 IVS	